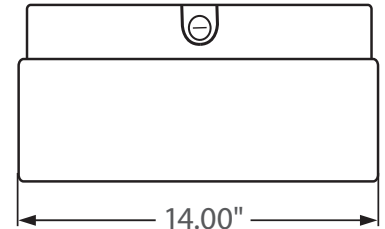
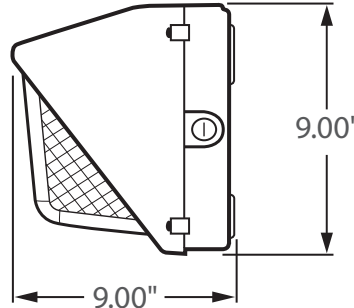




DESIGNLIGHTS
CONSORTIUM

Please check latest update for complete information.
http://www.designlights.org/solidstate.about.QualifiedProductsList_Publicv2.php



Incredible **70,000 hrs**

GENERAL DESCRIPTION

Neptun's 14" LED Flood Type Wall Pack fixtures feature classic form and durability to make it an excellent choice for new construction or retrofit applications. Neptun's LED Wall Pack fixtures feature a bright white 5000°K color temperature for increased safety and security. It can replace existing HID & HPS fixtures up to 150 Watts.

APPLICATION

- Building Accent Lighting
- Landscape Lighting
- Security Lighting
- Parking Lot Lighting
- Area Lighting
- Storage Area Lighting

STRUCTURE, MATERIALS, & FEATURES

- Heavy-gauge, die-cast aluminum housing.
- Custom designed anodized aluminum reflectors for superior illuminance.
- Silicone potted heat sink for increased life.
- Heat and impact resistant borosilicate glass lens.
- Corrosion resistant electrocoat dark bronze finish (custom colors available).
- Hinged aluminum door frame incorporates stainless steel hardware.
- Continuous silicone gasket surrounds lens for weather-tight seal.
- Correlated Color Temperature of (5000°K) for greater visibility and safety.
- 40 PCS High Output LED's.
- High power factor, low THD driver.
- InstantON flicker-free Cold Start and Hot Re-Start.
- Up to 15 years Maintenance free operation.
- 5 Year Warranty on complete fixture. (LED's, Driver, & Housing)

ORDERING INFORMATION

Sample Number: LED-21040FLD-UNV-750-LD-120V-BRZ
Custom options and accessories available. Please consult factory

| Source | Series | Wattage | Type | Voltage | Color Temp. | Accessories | Color |
|--------|----------------|--|------------------|-------------------|---|---|--|
| LED | 21 = Wall Pack | 040 = 40 W 055 = 55 W 070 = 70 W | FLD = Flood Type | UNV = 120-277 VAC | 735 = 3500°K 741 = 4100°K 750 = 5000°K* * Standard | LD-120V = Photocell for 120V LD-277V = Photocell for 277V MD = Motion Sensor Detector | BRZ = Dark Bronze * Custom Colors available |



lightinnovations@work™

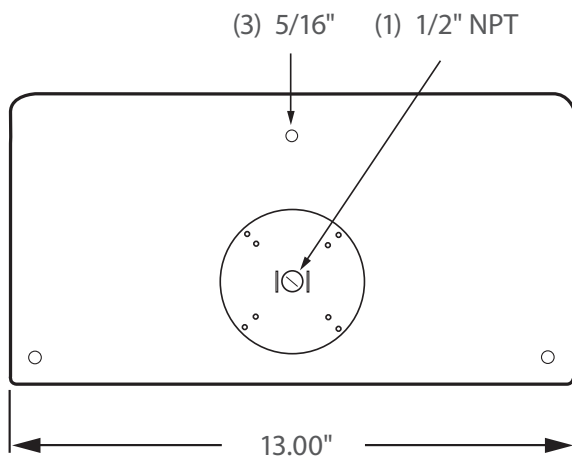
PRODUCT INFORMATION

| Model No. | Description | Rated Watts | Input Watts | Initial Lumens | Universal Line Voltage (VAC) | Max Line Current (Amp) @ 120 - 277 | THD | Power Factor | Weight |
|------------------|------------------------|-------------|-------------|----------------|------------------------------|------------------------------------|------|--------------|--------|
| LED-21040FLD-UNV | Wall Pack - Flood Type | 40 | 41 | 3,000 | 120-277 | 0.35 - 0.15 | <15% | >0.98 | 15 lbs |
| LED-21055FLD-UNV | Wall Pack - Flood Type | 55 | 57 | 4,125 | 120-277 | 0.48 - 0.20 | <15% | >0.98 | 15 lbs |
| LED-21070FLD-UNV | Wall Pack - Flood Type | 70 | 72 | 5,250 | 120-277 | 0.61 - 0.26 | <15% | >0.98 | 15 lbs |

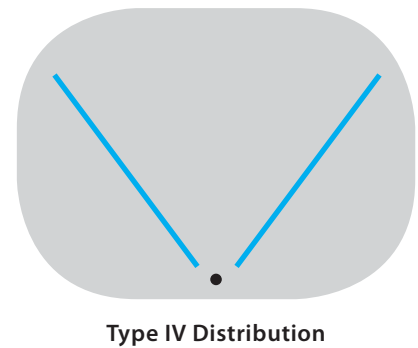
SPECIFICATIONS

- LED Driver Constant Current
- Power Supply 350mA
- Start Method InstantON
- Hot Re-start InstantON
- Universal Input Line Voltage 120-277 VAC
- Input Line Frequency 50/60 Hz
- Ballast Off-State Draw 0 Watts
- Sound Rating Class A
- ANSI Surge Protection Class A
- LED / Driver System Life 70,000 Hrs.
- Lumen Maintenance @50,000Hrs > 70%
- Color Temperature 5,000°K
- Color Rendering Index (CRI) > 70
- Minimum Starting Temperature -40°C
- Maximum Starting Temperature 50°C
- Lumens per Watt > 70
- Shock / Vibration Resistant Yes
- Power Factor > 0.98
- Total Harmonic Distortion < 15%
- Inrush Current Peak < 10 Amp
- ETL Listed / UL Standard 1598 Yes
- FCC Compliance Part 18, Subp. C
- IP Rating IP65
- Warranty 5 Year

MOUNTING OPTIONS



PHOTOMETRICS (See Complete IES File)



Neptun Light, Inc.
 13950 Business Center Drive
 Lake Forest, IL 60045
 Fax: 847.735.8004

Neptun Light, Inc. reserves the right to change materials or modify the design of its product without notification as part of the company's continuing product improvement program.
 ©2002-2013 Neptun Light, Inc. All rights reserved. Spec. Rev. 9-2013