

## PRODUCT DATA SHEETS

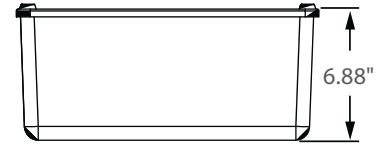
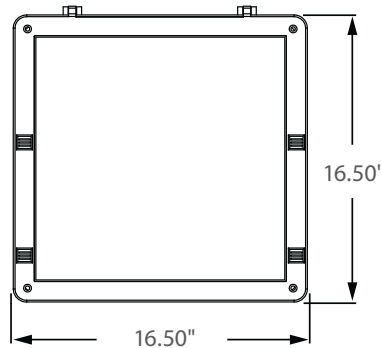
LED Flood Lighting  
LED Bollards



**\*\* AVAILABLE \*\***

**Bi-Level 100%** **Dimming 50%**

**0 - 10V**  
FULL DIMMING



Incredible **100,000 hrs**

### GENERAL DESCRIPTION

Neptun's 16" LED flood light fixture combines classic form and versatility to make it an excellent choice for new construction or retrofit applications. The LED-38 series flood fixture is offered in a variety of wattages and mounting options to provide maximum flexibility in all types of applications. It can replace existing HID & HPS fixtures up to 400W.

### APPLICATION

- Parking Lot Lighting
- Car Lot Lighting
- Area & Storage Lighting
- Street Lighting
- Walkway Lighting
- Building Accent Lighting
- Sign / Monument Lighting

### STRUCTURE, MATERIALS, & FEATURES

- Heavy-gauge, die-cast aluminum housing.
- Heat and impact resistant sealed glass lens.
- Integral structural support plate for mounting arm ensures strength.
- Corrosion resistant electrocoat dark bronze finish (custom colors available).
- Hinged aluminum door frame incorporates stainless steel hardware.
- Continuous silicone gasketing surrounds lens for weather - tight seal.
- Correlated Color Temperature of (5000°K) for greater visibility and safety.
- High Output COB Cree LED's.
- Driver with built in Neptun Surge Protective Device (NSPD) provides single phase protection for Line/Neutral, Line/Ground, and Neutral/Ground in accordance with IEEE C62.41 C High (10kV & 10kA).
- InstantON flicker-free Cold Start and Hot Re-Start.
- Up to 15 years Maintenance free operation.
- 10 Year Warranty on complete fixture. (LED's, Driver, & Housing)
- **Optional:** 0-10V Dimming, Bi-Level Dimming, Wi-Fi Control, Remote Monitoring and ON/ OFF Control, DC 24V Operation - Solar Compatible

### ORDERING INFORMATION

Sample Number: LED-38100-UNV-BL-DIM-SF-850-LD-T3-BRZ  
Custom options and accessories available. Please consult factory.

Series	Wattage	Voltage	Options	Mounting	CCT	Accessories	Optics	Color
<b>LED-38</b> = Flood Area/Parking Fixture	<b>080</b> = 80 W <b>100</b> = 100 W <b>120</b> = 120 W <b>150</b> = 150 W	<b>UNV</b> = 120-277 VAC <b>347V</b> = 347 VAC <b>480V</b> = 480 VAC <b>24VDC</b> = 24 VDC	<b>0-10VDIM</b> = 0-10V Dimming <b>BL-DIM</b> = Bi-Level Dimming * * Includes Motion Sensor	<b>SF</b> = Slip-Fitter Mount <b>YK</b> = Yoke Bracket Mount * See Pg. 2 for mounting options	<b>835</b> = 3500°K <b>841</b> = 4100°K <b>850</b> = 5000°K * * Standard	<b>LD</b> = Twistlock Photocell <b>MD</b> = Motion Sensor ON/OFF <b>FSGS</b> = Front Side Glare Shield <b>LGN</b> = Light Genie Node ** ** Contact factory for product information	<b>T3</b> = Type 3 <b>T5</b> = Type 5	<b>BRZ</b> = Bronze * Custom Colors Available



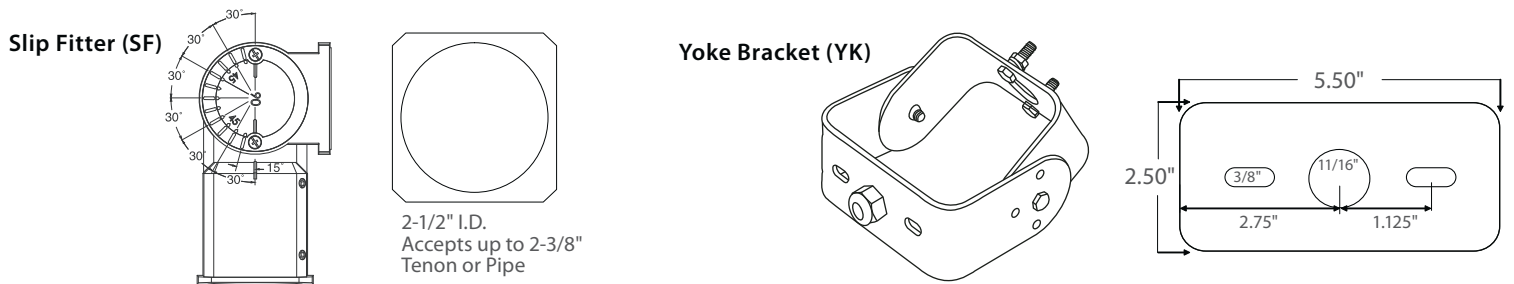
### PRODUCT INFORMATION

Model No.	Description	Rated Watts	Input Watts	Initial Lumens	Universal Line Voltage (VAC)	Max Line Current (Amp) @ 120 - 277	THD	Power Factor	Weight
LED-38080-UNV	LED Flood Light Fixture	80	82	8,200	120-277	0.69 - 0.30	<20%	>0.90	25 lbs
LED-38100-UNV	LED Flood Light Fixture	100	102	9,486	120-277	0.87 - 0.37	<20%	>0.90	25 lbs
LED-38120-UNV	LED Flood Light Fixture	120	122	11,590	120-277	1.05 - 0.45	<20%	>0.90	25 lbs
LED-38150-UNV	LED Flood Light Fixture	150	152	13,770	120-277	1.31 - 0.56	<20%	>0.90	25 lbs

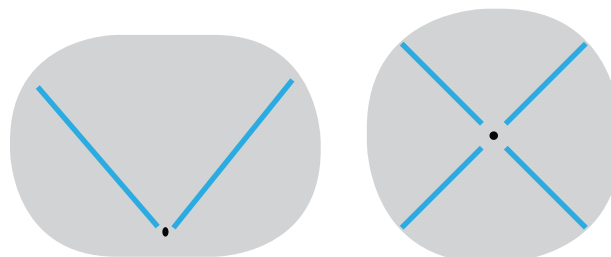
### SPECIFICATIONS

- Driver ..... Constant Current
- Start Method ..... InstantON
- Hot Re-start ..... InstantON
- Power Supply ..... 350mA
- Driver UL Rating ..... Class 1
- Driver UL Outdoor Rated ..... Wet Location
- Sound Rating ..... Class A
- ANSI Surge Protection ..... IEEE C62.41 C High
- Current Crest Factor ..... 1.5 maximum
- Load Regulation: 5% output current variation across load range
- Line Regulation: 1% output voltage variation across voltage range
- Driver Off-State Draw ..... 0 Watts
- Vibration Compliance ..... 3G
- Universal Input Line Voltage ..... 120-277 VAC
- Input Line Frequency ..... 50/60 Hz
- Projected (L70) @ 25°C ..... > 100,000 hrs.
- Color Temperature ..... 5,000°K
- Color Rendering Index (CRI) ..... > 80
- Minimum Starting Temperature ..... -40°C
- Maximum Starting Temperature ..... +50°C
- Lumens per Watt ..... > 90
- Shock / Vibration Resistant ..... Yes
- Power Factor ..... > 0.90
- Total Harmonic Distortion ..... < 20%
- Inrush Current Peak ..... < 10 Amp
- FCC Compliance ..... Part 15, Subp. C
- ETL Listed / UL Standard 1598 ..... Yes
- EPA Rating ..... 0.96 ft.<sup>2</sup>
- Driver IP Rating ..... IP67
- Optics IP Rating ..... IP68
- Warranty ..... 10 Year

### MOUNTING OPTIONS



### PHOTOMETRICS (See Complete IES File)



Type 3 Distribution

Type 5 Distribution

Neptun Light, Inc.  
13950 Business Center Drive  
Lake Forest, IL 60045  
Fax: 847.735.8004

Neptun Light, Inc. reserves the right to change materials or modify the design of its product without notification as part of the company's continuing product improvement program.  
©2002-2013 Neptun Light, Inc. All rights reserved.

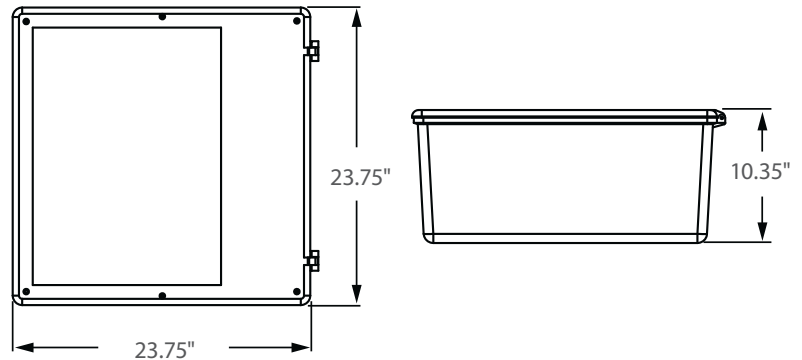
Spec. Rev. 4-2015



**\*\* AVAILABLE \*\***

Bi-Level Dimming  
100% 50%

0 - 10V  
FULL DIMMING



Incredible **100,000 hrs**

### GENERAL DESCRIPTION

Neptun's 23" LED flood combines classic form and versatility to make it an excellent choice for new construction or retrofit applications. The LED-39 series flood fixture is offered in a variety of wattages and mounting options to provide maximum flexibility in all types of applications. It can replace existing HID & HPS fixtures up to 750W.

### APPLICATION

- Parking Lot Lighting
- Car Lot Lighting
- Area & Storage Lighting
- Street Lighting
- Walkway Lighting
- Building Accent Lighting

### STRUCTURE, MATERIALS, & FEATURES

- Heavy-gauge, die-cast aluminum housing.
- Heat and impact resistant sealed glass lens.
- Integral structural support plate for mounting arm ensures strength.
- Corrosion resistant electrocoat dark bronze finish (custom colors available).
- Hinged aluminum door frame incorporates stainless steel hardware.
- Continuous silicone gasketing surrounds lens for weather - tight seal.
- Correlated Color Temperature of (5000°K) for greater visibility and safety.
- High Output COB Cree LED's.
- Driver with built in Neptun Surge Protective Device (NSPD) provides single phase protection for Line/Neutral, Line/Ground, and Neutral/Ground in accordance with IEEE C62.41 C High (10kV & 10kA).
- InstantON flicker-free Cold Start and Hot Re-Start.
- Up to 15 years Maintenance free operation.
- 10 Year Warranty on complete fixture. (LED's, Driver, & Housing)
- **Optional:** 0-10V Dimming, Bi-Level Dimming, Wi-Fi Control, Remote Monitoring and ON/ OFF Control

### ORDERING INFORMATION

Sample Number: LED-39200-UNV-SF-850-T3-LD-BRZ  
Custom options and accessories available. Please consult factory.

Series	Wattage	Voltage	Options	Mounting	CCT	Accessories	Optics	Color
<b>LED-39</b> = Flood Area/Parking Fixture	<b>180</b> = 180 W <b>200</b> = 200 W <b>260</b> = 260 W <b>320</b> = 320 W	<b>UNV</b> = 120-277 VAC <b>347V</b> = 347 VAC <b>480V</b> = 480 VAC <b>24VDC</b> = 24 VDC	<b>0-10VDIM</b> = 0-10V Dimming <b>BL-DIM</b> = Bi-Level Dimming * * Includes Motion Sensor	<b>SF</b> = Slip-Fitter Mount <b>YK</b> = Yoke Bracket Mount * See Pg. 2 for mounting options	<b>835</b> = 3500°K <b>841</b> = 4100°K <b>850</b> = 5000°K * * Standard	<b>LD</b> = Twistlock Photocell <b>MD</b> = Motion Sensor ON/OFF <b>FSGS</b> = Front Side Glare Shield <b>LGN</b> = Light Genie Node ** ** Contact factory for product information	<b>T3</b> = Type 3 <b>T5</b> = Type 5	<b>BRZ</b> = Bronze * Custom Colors Available



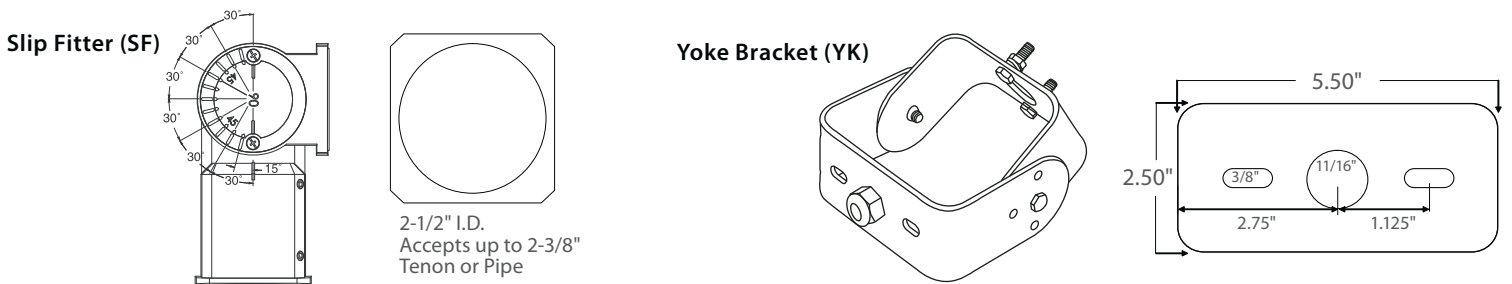
### PRODUCT INFORMATION

Model No.	Description	Rated Watts	Input Watts	Initial Lumens	Universal Line Voltage (VAC)	Max Line Current (Amp) @ 120 - 277	THD	Power Factor	Weight
LED-39180-UNV	LED Flood Light Fixture	180	185	16,200	120-277	1.57 - 0.68	<20%	>0.90	45 lbs
LED-39200-UNV	LED Flood Light Fixture	200	205	18,000	120-277	1.74 - 0.75	<20%	>0.90	45 lbs
LED-39260-UNV	LED Flood Light Fixture	260	265	23,400	120-277	2.29 - 0.98	<20%	>0.90	45 lbs
LED-39320-UNV	LED Flood Light Fixture	320	325	28,800	120-277	2.79 - 1.21	<20%	>0.90	45 lbs

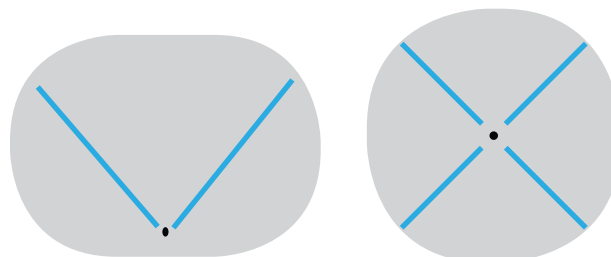
### SPECIFICATIONS

- Driver ..... Constant Current
- Start Method ..... InstantON
- Hot Re-start ..... InstantON
- Power Supply ..... 350mA
- Driver UL Rating ..... Class 1
- Driver UL Outdoor Rated ..... Wet Location
- Sound Rating ..... Class A
- ANSI Surge Protection ..... IEEE C62.41 C High
- Current Crest Factor ..... 1.5 maximum
- Load Regulation: 5% output current variation across load range
- Line Regulation: 1% output voltage variation across voltage range
- Driver Off-State Draw ..... 0 Watts
- Vibration Compliance ..... 3G
- Universal Input Line Voltage ..... 120-277 VAC
- Input Line Frequency ..... 50/60 Hz
- Projected (L70) @ 25°C ..... > 100,000 hrs.
- Color Temperature ..... 5,000°K
- Color Rendering Index (CRI) ..... > 80
- Minimum Starting Temperature ..... -40°C
- Maximum Starting Temperature ..... +50°C
- Lumens per Watt ..... > 90
- Shock / Vibration Resistant ..... Yes
- Power Factor ..... > 0.90
- Total Harmonic Distortion ..... < 20%
- Inrush Current Peak ..... < 10 Amp
- FCC Compliance ..... Part 15, Subp. C
- ETL Listed / UL Standard 1598 ..... Yes
- EPA Rating ..... 1.70 ft.<sup>2</sup>
- Driver IP Rating ..... IP67
- Optics IP Rating ..... IP68
- Warranty ..... 10 Year

### MOUNTING OPTIONS



### PHOTOMETRICS (See Complete IES File)



Type 3 Distribution

Type 5 Distribution

Neptun Light, Inc.  
13950 Business Center Drive  
Lake Forest, IL 60045  
Fax: 847.735.8004

Neptun Light, Inc. reserves the right to change materials or modify the design of its product without notification as part of the company's continuing product improvement program.  
©2002-2013 Neptun Light, Inc. All rights reserved.

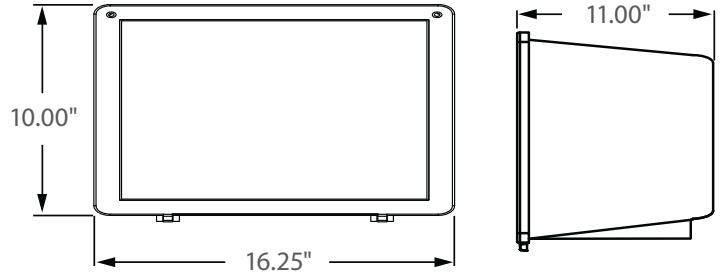
Spec. Rev. 4-2015



**\*\* AVAILABLE \*\***

**Bi-Level Dimming**  
100% 50%

**0 - 10V FULL DIMMING**



Incredible **100,000 hrs**

## GENERAL DESCRIPTION

Neptun's LED Flood fixtures feature classic form and durability to make it an excellent choice for new construction or retrofit applications. Neptun's LED-331 series fixtures feature high output LED's and custom engineered optics to provide excellent uniformity and efficiency. It can replace existing HID & HPS fixtures up to 175 Watts.

## APPLICATION

- Building Accent Lighting
- Landscape Lighting
- Security Lighting
- Parking Lot Lighting
- Area Lighting
- Storage Area Lighting
- Sign Lighting

## STRUCTURE, MATERIALS, & FEATURES

- Heavy-gauge, die-cast aluminum housing.
- Corrosion resistant electrocoat bronze finish (custom colors available).
- Aluminum door frame incorporates stainless steel hardware.
- Adjustable Yoke bracket or Slip-Fitter mounting arm included.
- Correlated Color Temperature of (5000°K) for greater visibility and safety.
- High Output COB LED's.
- High power factor, low THD driver with 10kV Surge Protection.
- InstantON flicker-free Cold Start and Hot Re-Start.
- Up to 15 years Maintenance free operation.
- 5 Year Warranty on complete fixture. (LED's, Driver, & Housing)
- **Optional:** 0-10V Dimming, Bi-Level Dimming, Remote Monitoring and ON/ OFF Control, DC 24V Operation - Solar Compatible

## ORDERING INFORMATION

Sample Number: LED-331040-UNV-0-10VDIM-YK-850-LD-120V-BRZ  
Custom options and accessories available. Please consult factory

Series	Wattage	Voltage	Options	Mounting	Color Temp	Accessories	Color
<b>LED-331</b> = Flood	<b>040</b> = 40 W <b>060</b> = 60 W <b>080</b> = 80 W	<b>UNV</b> = 120-277 VAC <b>347V</b> = 347 VAC <b>480V</b> = 480 VAC <b>24VDC</b> = 24 VDC	<b>0-10VDIM</b> = 0-10V Dimming <b>BL-DIM</b> = Bi-Level Dimming * * Includes Motion Sensor ** Contact Factory for dimming options	<b>SF</b> = Slip Fitter <b>YK</b> = Yoke Bracket	<b>835</b> = 3500°K <b>841</b> = 4100°K <b>850</b> = 5000°K * * Standard	<b>LD-120V</b> = Photocell 120V <b>LD-277V</b> = Photocell 277V <b>MD</b> = Motion Sensor ON/OFF	<b>BRZ</b> = Bronze * Custom Colors Available



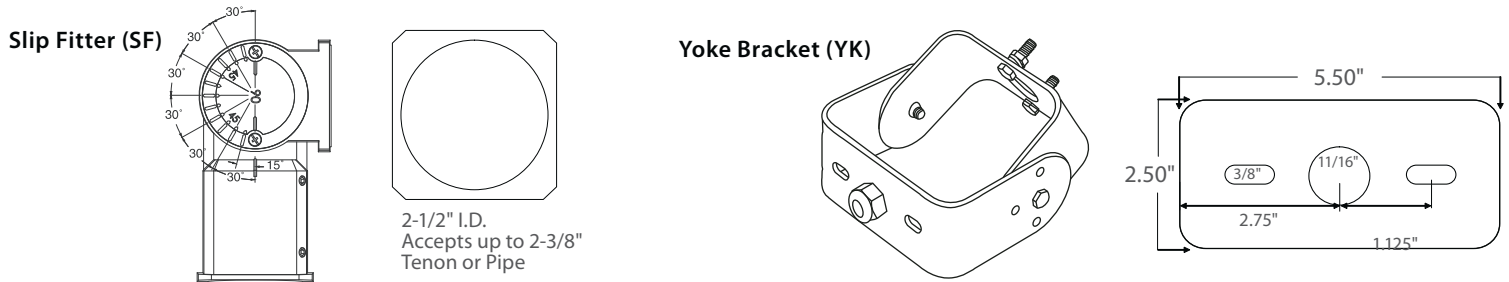
## PRODUCT INFORMATION

Model No.	Description	Rated Watts	Input Watts	Initial Lumens	Universal Line Voltage (VAC)	Max Line Current (Amp) @ 120 - 277	THD	Power Factor	Weight
LED-331040-UNV	LED Flood Fixture	40	42	3,600	120-277	0.34-0.15	<20%	>0.90	20 lbs.
LED-331060-UNV	LED Flood Fixture	60	62	5,400	120-277	0.52-0.22	<20%	>0.90	20 lbs.
LED-331080-UNV	LED Flood Fixture	80	82	7,200	120-277	0.69-0.30	<20%	>0.90	20 lbs

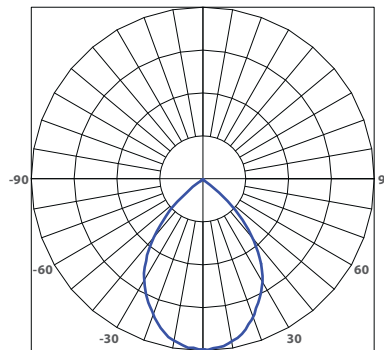
## SPECIFICATIONS

- Driver ..... Constant Current
- Start Method ..... InstantON
- Hot Re-start ..... InstantON
- Power Supply ..... 350mA
- Driver UL Rating ..... Class 1
- Driver UL Outdoor Rated ..... Wet Location
- Sound Rating ..... Class A
- ANSI Surge Protection ..... IEEE C62.41 C High
- Driver Off-State Draw ..... 0 Watts
- Universal Input Line Voltage ..... 120-277 VAC
- Input Line Frequency ..... 50/60 Hz
- Projected (L70) @ 25°C ..... > 100,000 hrs.
- Color Temperature ..... 5,000°K
- Color Rendering Index (CRI) ..... > 80
- Beam Angle ..... 90°
- Minimum Starting Temperature ..... -40°C
- Maximum Starting Temperature ..... +50°C
- Lumens per Watt ..... > 90
- Shock / Vibration Resistant ..... Yes
- Power Factor ..... > 0.90
- Total Harmonic Distortion ..... < 20%
- Inrush Current Peak ..... < 10 Amp
- FCC Compliance ..... Part 15, Subp. C
- Optics IP Rating ..... IP68
- Driver IP Rating ..... IP67
- Warranty ..... 5 Year

## MOUNTING OPTIONS



## PHOTOMETRICS (See Complete IES File)

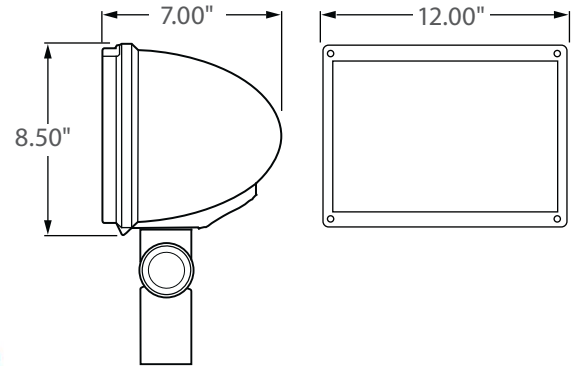


90° Beam

Neptun Light, Inc.  
13950 Business Center Drive  
Lake Forest, IL 60045  
Fax: 847.735.8004

Neptun Light, Inc. reserves the right to change materials or modify the design of its product without notification as part of the company's continuing product improvement program.  
©2002-2013 Neptun Light, Inc. All rights reserved.

Spec. Rev. 4-2015



\*\* AVAILABLE \*\*

0 - 10V  
FULL DIMMING

Incredible **100,000 hrs**

## GENERAL DESCRIPTION

Neptun's LED Flood fixtures feature classic form and durability to make it an excellent choice for new construction or retrofit applications. Neptun's LED-SW33 series fixtures feature high output LED's and custom engineered optics to provide excellent uniformity and efficiency. It can replace existing HID & HPS fixtures up to 175 Watts.

## APPLICATION

- Building Accent Lighting
- Landscape Lighting
- Security Lighting
- Parking Lot Lighting
- Area Lighting
- Storage Area Lighting
- Sign Lighting

## STRUCTURE, MATERIALS, & FEATURES

- Heavy-gauge, die-cast aluminum housing.
- Corrosion resistant electrocoat bronze finish (custom colors available).
- Aluminum door frame incorporates stainless steel hardware.
- Adjustable Yoke bracket or Slip-Fitter mounting arm included.
- High efficiency, heat and impact resistant glass lens.
- Correlated Color Temperature of (5000°K) for greater visibility and safety.
- High Output Cree LED's.
- High power factor, low THD driver with 10kV Surge Protection.
- InstantON flicker-free Cold Start and Hot Re-Start.
- Up to 15 years Maintenance free operation.
- 5 Year Warranty on complete fixture. (LED's, Driver, & Housing)
- **Optional:** 0-10V Dimming, Remote Monitoring and ON/ OFF Control, DC 24V Operation - Solar Compatible

## ORDERING INFORMATION

Sample Number: LED-SW33080-UNV-SF-850-BRZ  
Custom options and accessories available. Please consult factory

Series	Wattage	Voltage	Options	Mounting	Color Temp	Color
LED-SW33 = Flood	080 = 80 W 100 = 100 W	UNV = 120-277 VAC 347V = 347 VAC 480V = 480 VAC 24VDC = 24 VDC	0-10VDIM = 0-10V Dimming * Contact Factory for Dimming options	SF = Slip Fitter YK = Yoke Bracket	835 = 3500°K 841 = 4100°K 850 = 5000°K * * Standard	BRZ = Bronze <span style="display:inline-block; width:10px; height:10px; background-color: #444; border: 1px solid black;"></span> * Custom Colors Available





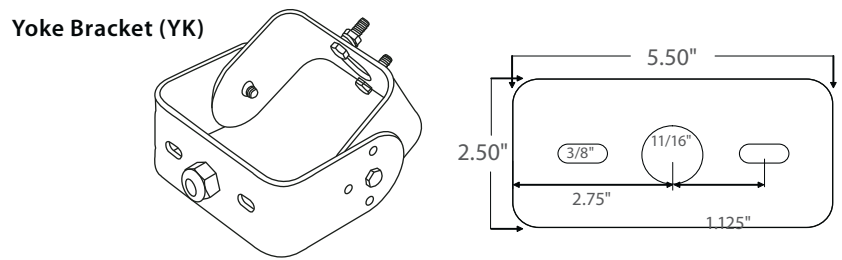
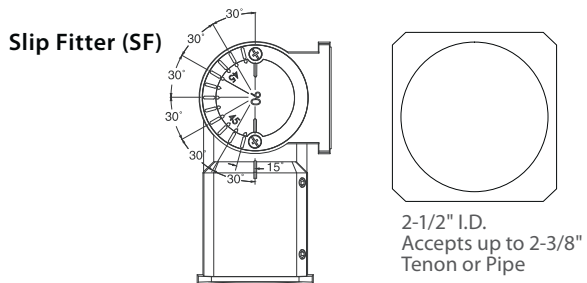
## PRODUCT INFORMATION

Model No.	Description	Rated Watts	Input Watts	Initial Lumens	Universal Line Voltage (VAC)	Max Line Current (Amp) @ 120 - 277	THD	Power Factor	Weight
LED-SW33080-UNV	Flood Light Fixture	80	82	6,240	120-277	0.69 - 0.30	<20%	>0.90	18 lbs
LED-SW33100-UNV	Flood Light Fixture	100	102	8,500	120-277	0.87 - 0.37	<20%	>0.90	18 lbs

## SPECIFICATIONS

- Driver ..... Constant Current
- Start Method ..... InstantON
- Hot Re-start ..... InstantON
- Power Supply ..... 350mA
- Driver UL Rating ..... Class 1
- Driver UL Outdoor Rated ..... Wet Location
- Sound Rating ..... Class A
- ANSI Surge Protection ..... IEEE C62.41 C High
- Driver Off-State Draw ..... 0 Watts
- Universal Input Line Voltage ..... 120-277 VAC
- Input Line Frequency ..... 50/60 Hz
- Projected (L70) @ 25°C ..... > 100,000 hrs.
- Color Temperature ..... 5,000°K
- Color Rendering Index (CRI) ..... > 80
- Beam Angle ..... 120°
- Minimum Starting Temperature ..... -40°C
- Maximum Starting Temperature ..... +50°C
- Lumens per Watt ..... > 75
- Shock / Vibration Resistant ..... Yes
- Power Factor ..... > 0.90
- Total Harmonic Distortion ..... < 20%
- Inrush Current Peak ..... < 10 Amp
- FCC Compliance ..... Part 15, Subp. C
- Optics IP Rating ..... IP68
- Driver IP Rating ..... IP67
- Warranty ..... 5 Year

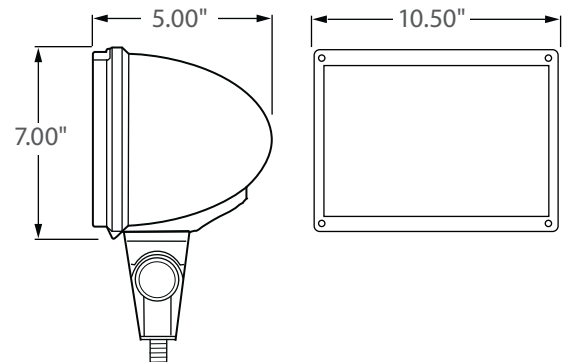
## MOUNTING OPTIONS



Neptun Light, Inc.  
13950 Business Center Drive  
Lake Forest, IL 60045  
Fax: 847.735.8004

Neptun Light, Inc. reserves the right to change materials or modify the design of its product without notification as part of the company's continuing product improvement program.  
©2002-2013 Neptun Light, Inc. All rights reserved.

Spec. Rev. 4-2015



**\*\* AVAILABLE \*\***  
**0 - 10V**  
FULL DIMMING

Incredible **100,000 hrs**

## GENERAL DESCRIPTION

Neptun's LED Flood fixtures feature classic form and durability to make it an excellent choice for new construction or retrofit applications. Neptun's LED-SW32 series fixtures feature high output LED's and custom engineered optics to provide excellent uniformity and efficiency. It can replace existing HID & HPS fixtures up to 150 Watts.

## APPLICATION


- Building Accent Lighting
- Landscape Lighting
- Security Lighting
- Area Lighting
- Storage Area Lighting
- Sign Lighting

## STRUCTURE, MATERIALS, & FEATURES

- Heavy-gauge, die-cast aluminum housing.
- Corrosion resistant electrocoat bronze finish (custom colors available).
- Aluminum door frame incorporates stainless steel hardware.
- High efficiency, heat and impact resistant glass lens.
- Adjustable 1/2" NPT mounting arm included.
- Correlated Color Temperature of (5000°K) for greater visibility and safety.
- High Output Cree LED's.
- High power factor, low THD driver with 10kV Surge Protection.
- InstantON flicker-free Cold Start and Hot Re-Start.
- Up to 15 years Maintenance free operation.
- 5 Year Warranty on complete fixture. (LED's, Driver, & Housing)
- **Optional:** 0-10V Dimming, Remote Monitoring and ON/ OFF Control, DC 24V Operation - Solar Compatible

## ORDERING INFORMATION

Sample Number: LED-SW32050-UNV-0-10VDIM-850-BRZ  
Custom options and accessories available. Please consult factory

Series	Wattage	Voltage	Options	Color Temp	Color
LED-SW32 = Flood	050 = 50 W	UNV = 120-277 VAC 347V = 347 VAC 480V = 480 VAC 24VDC = 24 VDC	0-10VDIM = 0-10V Dimming * Contact Factory for Dimming options	835 = 3500°K 841 = 4100°K 850 = 5000°K * * Standard	BRZ = Bronze  * Custom Colors Available



## PRODUCT INFORMATION

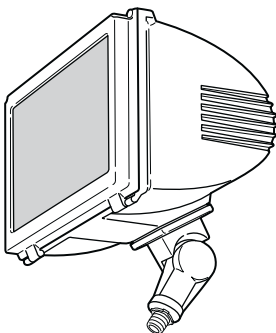
Model No.	Description	Rated Watts	Input Watts	Initial Lumens	Universal Line Voltage (VAC)	Max Line Current (Amp) @ 120 - 277	THD	Power Factor	Weight
LED-SW32050-UNV	Flood Light - Yoke	50	52	3,750	120-277	0.43 - 0.18	<20%	>0.90	8 lbs

## SPECIFICATIONS

- Driver ..... Constant Current
- Start Method ..... InstantON
- Hot Re-start ..... InstantON
- Power Supply ..... 350mA
- Driver UL Rating ..... Class 1
- Driver UL Outdoor Rated ..... Wet Location
- Sound Rating ..... Class A
- ANSI Surge Protection ..... IEEE C62.41 C High
- Driver Off-State Draw ..... 0 Watts
- Universal Input Line Voltage ..... 120-277 VAC
- Input Line Frequency ..... 50/60 Hz
- Projected (L70) @ 25°C ..... > 100,000 hrs.
- Color Temperature ..... 5,000°K
- Color Rendering Index (CRI) ..... > 80
- Beam Angle ..... 95°
- Minimum Starting Temperature ..... -40°C
- Maximum Starting Temperature ..... +50°C
- Lumens per Watt ..... > 75
- Shock / Vibration Resistant ..... Yes
- Power Factor ..... > 0.90
- Total Harmonic Distortion ..... < 20%
- Inrush Current Peak ..... < 10 Amp
- FCC Compliance ..... Part 15, Subp. C
- Optics IP Rating ..... IP68
- Driver IP Rating ..... IP67
- Warranty ..... 5 Year

## MOUNTING OPTIONS

NPT Mount



1/2" NPT  
Mounting Arm Included  
Adjustable Tilt

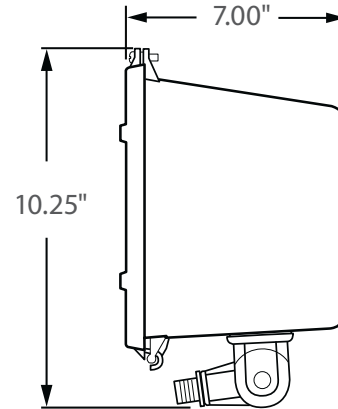
Neptun Light, Inc.  
13950 Business Center Drive  
Lake Forest, IL 60045  
Fax: 847.735.8004

Neptun Light, Inc. reserves the right to change materials or modify the design of its product without notification as part of the company's continuing product improvement program.  
©2002-2013 Neptun Light, Inc. All rights reserved.

Spec. Rev. 4-2015



**\*\* AVAILABLE \*\***  
**0 - 10V**  
**FULL DIMMING**



Incredible **100,000 hrs**

## GENERAL DESCRIPTION

Neptun's LED Flood fixtures feature classic form and durability to make it an excellent choice for new construction or retrofit applications. The LED-64 series fixtures feature high output LED's and custom engineered optics to provide excellent uniformity and efficiency. It can replace existing HID & HPS fixtures up to 100 Watts.

## APPLICATION

- Building Accent Lighting
- Landscape Lighting
- Security Lighting
- Area Lighting
- Storage Area Lighting
- Sign Lighting

## STRUCTURE, MATERIALS, & FEATURES

- Heavy-gauge, die-cast aluminum housing.
- Corrosion resistant electrocoat bronze finish (custom colors available).
- Aluminum door frame incorporates stainless steel hardware.
- Adjustable 1/2" NPT mounting arm included.
- Correlated Color Temperature of (5000°K) for greater visibility and safety.
- High Output COB LED's.
- High power factor, low THD driver with 10kV Surge Protection.
- InstantON flicker-free Cold Start and Hot Re-Start.
- Up to 15 years Maintenance free operation.
- 5 Year Warranty on complete fixture. (LED's, Driver, & Housing)
- **Optional:** 0-10V Dimming, Remote Monitoring and ON/ OFF Control, DC 24V Operation - Solar Compatible

## ORDERING INFORMATION

Sample Number: LED-65040-UNV-0-10VDIM-850-LD-120V-BRZ  
Custom options and accessories available. Please consult factory

Series	Wattage	Voltage	Options	Color Temp	Accessories	Color
LED-65 = Flood	040 = 40 W	UNV = 120-277 VAC 347V = 347 VAC 480V = 480 VAC 24VDC = 24 VDC	0-10VDIM = 0-10V Dimming ** Contact Factory for dimming options	835 = 3500°K 841 = 4100°K 850 = 5000°K * * Standard	LD-120V = Photocell 120V LD-277V = Photocell 277V	BRZ = Bronze <span style="display:inline-block; width:10px; height:10px; background-color: #444;"></span> * Custom Colors Available



## PRODUCT INFORMATION

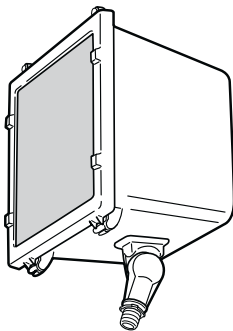
Model No.	Description	Rated Watts	Input Watts	Initial Lumens	Universal Line Voltage (VAC)	Max Line Current (Amp) @ 120 - 277	THD	Power Factor	Weight
LED-65040-UNV	LED Flood Fixture	40	42	3,600	120-277	0.34-0.15	<20%	>0.90	8 lbs.

## SPECIFICATIONS

- Driver ..... Constant Current
- Start Method ..... InstantON
- Hot Re-start ..... InstantON
- Power Supply ..... 350mA
- Driver UL Rating ..... Class 1
- Driver UL Outdoor Rated ..... Wet Location
- Sound Rating ..... Class A
- ANSI Surge Protection ..... IEEE C62.41 C High
- Driver Off-State Draw ..... 0 Watts
- Universal Input Line Voltage ..... 120-277 VAC
- Input Line Frequency ..... 50/60 Hz
- Projected (L70) @ 25°C ..... > 100,000 hrs.
- Color Temperature ..... 5,000°K
- Color Rendering Index (CRI) ..... > 80
- Beam Angle ..... 90°
- Minimum Starting Temperature ..... -40°C
- Maximum Starting Temperature ..... +50°C
- Lumens per Watt ..... > 90
- Shock / Vibration Resistant ..... Yes
- Power Factor ..... > 0.90
- Total Harmonic Distortion ..... < 20%
- Inrush Current Peak ..... < 10 Amp
- FCC Compliance ..... Part 15, Subp. C
- Optics IP Rating ..... IP68
- Driver IP Rating ..... IP67
- Warranty ..... 5 Year

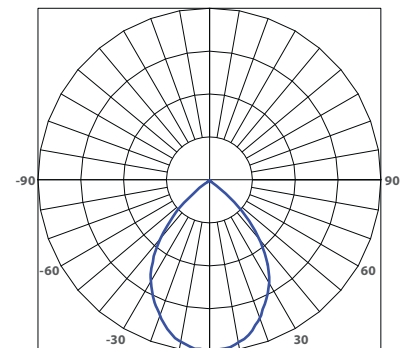
## MOUNTING OPTIONS

NPT Mount



1/2" NPT  
Mounting Arm Included  
Adjustable Tilt

## PHOTOMETRICS (See Complete IES File)



90° Beam

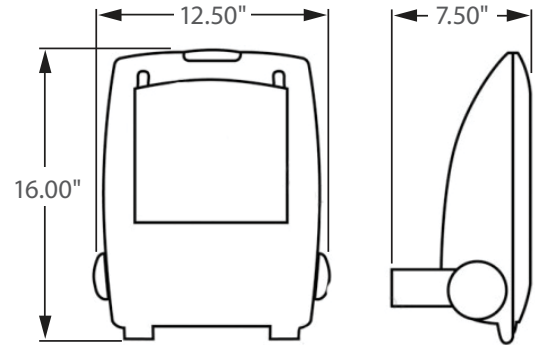
Neptun Light, Inc.  
13950 Business Center Drive  
Lake Forest, IL 60045  
Fax: 847.735.8004

Neptun Light, Inc. reserves the right to change materials or modify the design of its product without notification as part of the company's continuing product improvement program.  
©2002-2013 Neptun Light, Inc. All rights reserved.

Spec. Rev. 4-2015



**\*\* AVAILABLE \*\***  
**0 - 10V**  
**FULL DIMMING**



Incredible **100,000 hrs**

## GENERAL DESCRIPTION

Neptun's LED Flood fixtures feature classic form and durability to make it an excellent choice for new construction or retrofit applications. Neptun's LED-61 series fixtures feature high output LED's and custom engineered optics to provide excellent uniformity and efficiency. It can replace existing HID & HPS fixtures up to 250 Watts.

## APPLICATION

- Building Accent Lighting
- Landscape Lighting
- Security Lighting
- Parking Lot Lighting
- Area Lighting
- Storage Area Lighting
- Sign Lighting

## STRUCTURE, MATERIALS, & FEATURES

- Heavy-gauge, die-cast aluminum housing.
- Heat and impact resistant tempered glass lens with anti-glare diffuser.
- Corrosion resistant electrocoat finish (custom colors available).
- Continuous silicone gasket surrounds lens for weather - tight seal.
- Tool-less entry design for easy maintenance and installation.
- Adjustable yoke bracket mounting included.
- High Output COB LED's.
- High power factor, low THD driver with 10kV Surge Protection.
- InstantON flicker-free Cold Start and Hot Re-Start.
- Up to 15 years Maintenance free operation.
- 5 Year Warranty on complete fixture. (LED's, Driver, & Housing)
- **Optional:** 0-10V Dimming, Remote Monitoring and ON/ OFF Control, DC 24V Operation - Solar Compatible

## ORDERING INFORMATION

Sample Number: LED-61100-UNV-0-10VDIM-850-B60-GRY  
 Custom options and accessories available. Please consult factory

Series	Wattage	Voltage	Options	Color Temp	Beam Spread	Color
<b>LED-61</b> = Flood Light	<b>100</b> = 100 W <b>120</b> = 120 W <b>150</b> = 150 W	<b>UNV</b> = 120-277 VAC <b>347V</b> = 347 VAC <b>480V</b> = 480 VAC <b>24VDC</b> = 24 VDC	<b>0-10VDIM</b> = 0-10V Dimming * Contact Factory for Dimming options	<b>835</b> = 3500°K <b>841</b> = 4100°K <b>850</b> = 5000°K* * Standard	<b>B45</b> = 45° Beam <b>B60</b> = 60° Beam <b>B90</b> = 90° Beam	<b>GRY</b> = Grey <b>BRZ</b> = Bronze <b>BLK</b> = Black * Custom Colors Available



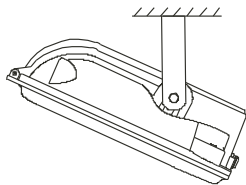
## PRODUCT INFORMATION

Model No.	Description	Rated Watts	Input Watts	Initial Lumens	Universal Line Voltage (VAC)	Max Line Current (Amp) @ 120 - 277	THD	Power Factor	Weight
LED-61100-UNV	LED Flood Fixture	100	102	9,000	120-277	0.87 - 0.37	<20%	>0.90	16 lbs
LED-61120-UNV	LED Flood Fixture	120	122	10,800	120-277	1.05 - 0.45	<20%	>0.90	16 lbs
LED-61150-UNV	LED Flood Fixture	150	152	13,500	120-277	1.31 - 0.56	<20%	>0.90	16 lbs

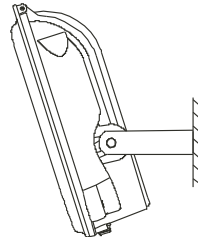
## SPECIFICATIONS

- Driver ..... Constant Current
- Start Method ..... InstantON
- Hot Re-start ..... InstantON
- Power Supply ..... 350mA
- Driver UL Rating ..... Class 1
- Driver UL Outdoor Rated ..... Wet Location
- Sound Rating ..... Class A
- ANSI Surge Protection ..... IEEE C62.41 C High
- Driver Off-State Draw ..... 0 Watts
- Universal Input Line Voltage ..... 120-277 VAC
- Input Line Frequency ..... 50/60 Hz
- Projected (L70) @ 25°C ..... > 100,000 hrs.
- Color Temperature ..... 5,000°K
- Color Rendering Index (CRI) ..... > 80
- Beam Angle ..... 45° / 60° / 90°
- Minimum Starting Temperature ..... -40°C
- Maximum Starting Temperature ..... +50°C
- Lumens per Watt ..... > 90
- Shock / Vibration Resistant ..... Yes
- Power Factor ..... > 0.90
- Total Harmonic Distortion ..... < 20%
- Inrush Current Peak ..... < 10 Amp
- FCC Compliance ..... Part 15, Subp. C
- Housing IP Rating ..... IP65
- Driver IP Rating ..... IP67
- Warranty ..... 5 Year

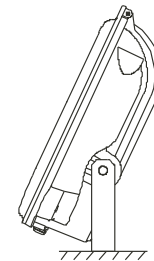
## MOUNTING OPTIONS



Ceiling Mount

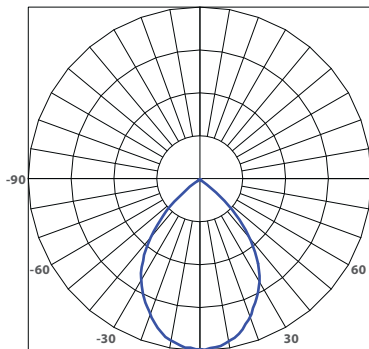


Wall Mount

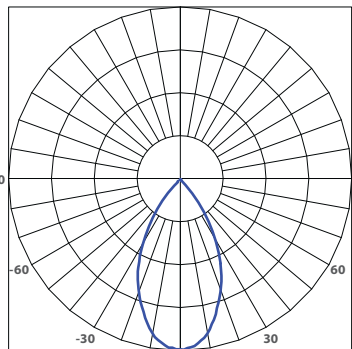


Ground Mount

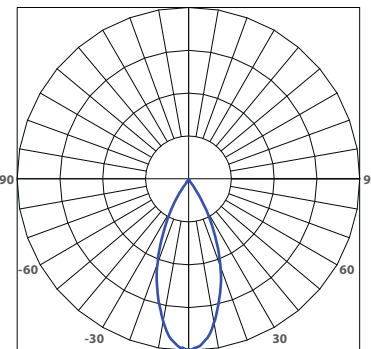
## PHOTOMETRICS (See Complete IES File)



90° Beam (B90)



60° Beam (B60)



45° Beam (B45)

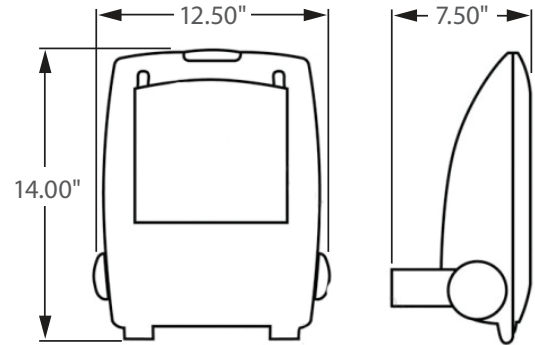
Neptun Light, Inc.  
13950 Business Center Drive  
Lake Forest, IL 60045  
Fax: 847.735.8004

Neptun Light, Inc. reserves the right to change materials or modify the design of its product without notification as part of the company's continuing product improvement program.  
©2002-2013 Neptun Light, Inc. All rights reserved.

Spec. Rev. 4-2015



**\*\* AVAILABLE \*\***  
**0 - 10V**  
**FULL DIMMING**



Incredible **100,000 hrs**

## GENERAL DESCRIPTION

Neptun's LED Flood fixtures feature classic form and durability to make it an excellent choice for new construction or retrofit applications. Neptun's LED-61 series fixtures feature high output LED's and custom engineered optics to provide excellent uniformity and efficiency. It can replace existing HID & HPS fixtures up to 150 Watts.

## APPLICATION

- Building Accent Lighting
- Landscape Lighting
- Security Lighting
- Parking Lot Lighting
- Area Lighting
- Storage Area Lighting
- Sign Lighting

## STRUCTURE, MATERIALS, & FEATURES

- Heavy-gauge, die-cast aluminum housing.
- Heat and impact resistant tempered glass lens with anti-glare diffuser.
- Corrosion resistant electrocoat finish (custom colors available).
- Continuous silicone gasket surrounds lens for weather - tight seal.
- Tool-less entry design for easy maintenance and installation.
- Adjustable yoke bracket mounting included.
- High Output COB LED's.
- High power factor, low THD driver with 10kV Surge Protection.
- InstantON flicker-free Cold Start and Hot Re-Start.
- Up to 15 years Maintenance free operation.
- 5 Year Warranty on complete fixture. (LED's, Driver, & Housing)
- **Optional:** 0-10V Dimming, Remote Monitoring and ON/ OFF Control, DC 24V Operation - Solar Compatible

## ORDERING INFORMATION

Sample Number: LED-61070-UNV-0-10VDIM-850-B60-GRY  
 Custom options and accessories available. Please consult factory

Series	Wattage	Voltage	Options	Color Temp	Beam Spread	Color
LED-61 = Flood Light	070 = 70W	UNV = 120-277 VAC 347V = 347 VAC 480V = 480 VAC 24VDC = 24 VDC	0-10VDIM = 0-10V Dimming * Contact Factory for Dimming options	835 = 3500°K 841 = 4100°K 850 = 5000°K * * Standard	B45 = 45° Beam B60 = 60° Beam B90 = 90° Beam	GRY = Grey BRZ = Bronze BLK = Black * Custom Colors Available





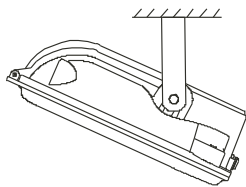
## PRODUCT INFORMATION

Model No.	Description	Rated Watts	Input Watts	Initial Lumens	Universal Line Voltage (VAC)	Max Line Current (Amp) @ 120 - 277	THD	Power Factor	Weight
LED-61070-UNV	LED Flood Fixture	70	71	6,300	120-277	0.61 - 0.26	<20%	>0.90	14 lbs

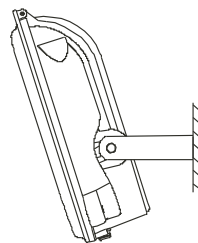
## SPECIFICATIONS

- Driver ..... Constant Current
- Start Method ..... InstantON
- Hot Re-start ..... InstantON
- Power Supply ..... 350mA
- Driver UL Rating ..... Class 1
- Driver UL Outdoor Rated ..... Wet Location
- Sound Rating ..... Class A
- ANSI Surge Protection ..... IEEE C62.41 C High
- Driver Off-State Draw ..... 0 Watts
- Universal Input Line Voltage ..... 120-277 VAC
- Input Line Frequency ..... 50/60 Hz
- Projected (L70) @ 25°C ..... > 100,000 hrs.
- Color Temperature ..... 5,000°K
- Color Rendering Index (CRI) ..... > 80
- Beam Angle ..... 45° / 60° / 90°
- Minimum Starting Temperature ..... -40°C
- Maximum Starting Temperature ..... +50°C
- Lumens per Watt ..... > 90
- Shock / Vibration Resistant ..... Yes
- Power Factor ..... > 0.90
- Total Harmonic Distortion ..... < 20%
- Inrush Current Peak ..... < 10 Amp
- FCC Compliance ..... Part 15, Subp. C
- Housing IP Rating ..... IP65
- Driver IP Rating ..... IP67
- Warranty ..... 5 Year

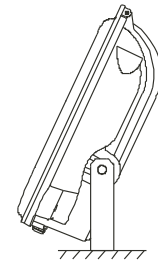
## MOUNTING OPTIONS



Ceiling Mount

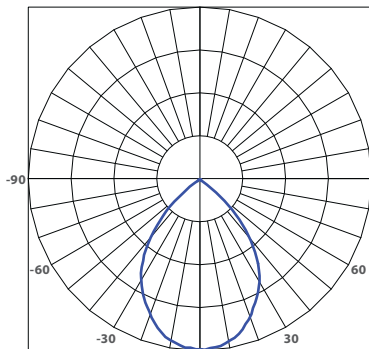


Wall Mount

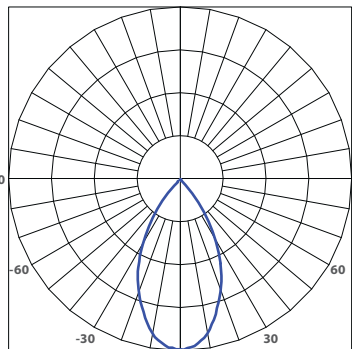


Ground Mount

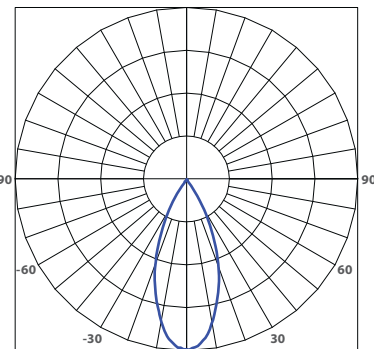
## PHOTOMETRICS (See Complete IES File)



90° Beam (B90)



60° Beam (B60)



45° Beam (B45)

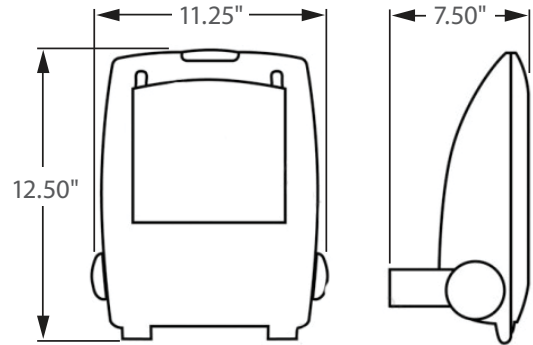
Neptun Light, Inc.  
13950 Business Center Drive  
Lake Forest, IL 60045  
Fax: 847.735.8004

Neptun Light, Inc. reserves the right to change materials or modify the design of its product without notification as part of the company's continuing product improvement program.  
©2002-2013 Neptun Light, Inc. All rights reserved.

Spec. Rev. 4-2015



**\*\* AVAILABLE \*\***  
**0 - 10V**  
**FULL DIMMING**



Incredible **100,000 hrs**

## GENERAL DESCRIPTION

Neptun's LED Flood fixtures feature classic form and durability to make it an excellent choice for new construction or retrofit applications. Neptun's LED-61 series fixtures feature high output LED's and custom engineered optics to provide excellent uniformity and efficiency. It can replace existing HID & HPS fixtures up to 100 Watts.

## APPLICATION

- Building Accent Lighting
- Landscape Lighting
- Security Lighting
- Parking Lot Lighting
- Area Lighting
- Storage Area Lighting
- Sign Lighting

## STRUCTURE, MATERIALS, & FEATURES

- Heavy-gauge, die-cast aluminum housing.
- Heat and impact resistant tempered glass lens with anti-glare diffuser.
- Corrosion resistant electrocoat finish (custom colors available).
- Continuous silicone gasket surrounds lens for weather - tight seal.
- Tool-less entry design for easy maintenance and installation.
- Adjustable yoke bracket mounting included.
- High Output COB LED's.
- High power factor, low THD driver with 10kV Surge Protection.
- InstantON flicker-free Cold Start and Hot Re-Start.
- Up to 15 years Maintenance free operation.
- 5 Year Warranty on complete fixture. (LED's, Driver, & Housing)
- **Optional:** 0-10V Dimming, Remote Monitoring and ON/ OFF Control, DC 24V Operation - Solar Compatible

## ORDERING INFORMATION

Sample Number: LED-61050-UNV-0-10VDIM-850-B60-GRY  
 Custom options and accessories available. Please consult factory

Series	Wattage	Voltage	Options	Color Temp	Beam Spread	Color
LED-61 = Flood Light	050 = 50W	UNV = 120-277 VAC 24VDC = 24 VDC	0-10VDIM = 0-10V Dimming * Contact Factory for Dimming options	835 = 3500°K 841 = 4100°K 850 = 5000°K* *Standard	B45 = 45° Beam B60 = 60° Beam B90 = 90° Beam	GRY = Grey BRZ = Bronze BLK = Black * Custom Colors Available



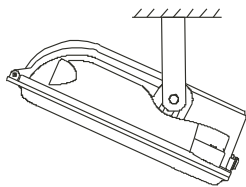
## PRODUCT INFORMATION

Model No.	Description	Rated Watts	Input Watts	Initial Lumens	Universal Line Voltage (VAC)	Max Line Current (Amp) @ 120 - 277	THD	Power Factor	Weight
LED-61050-UNV	LED Flood Fixture	50	51	4,500	120-277	0.43 - 0.18	<20%	>0.90	12 lbs

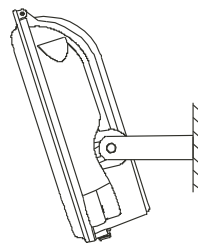
## SPECIFICATIONS

- Driver ..... Constant Current
- Start Method ..... InstantON
- Hot Re-start ..... InstantON
- Power Supply ..... 350mA
- Driver UL Rating ..... Class 1
- Driver UL Outdoor Rated ..... Wet Location
- Sound Rating ..... Class A
- ANSI Surge Protection ..... IEEE C62.41 C High
- Driver Off-State Draw ..... 0 Watts
- Universal Input Line Voltage ..... 120-277 VAC
- Input Line Frequency ..... 50/60 Hz
- Projected (L70) @ 25°C ..... > 100,000 hrs.
- Color Temperature ..... 5,000°K
- Color Rendering Index (CRI) ..... > 80
- Beam Angle ..... 45° / 60° / 90°
- Minimum Starting Temperature ..... -40°C
- Maximum Starting Temperature ..... +50°C
- Lumens per Watt ..... > 90
- Shock / Vibration Resistant ..... Yes
- Power Factor ..... > 0.90
- Total Harmonic Distortion ..... < 20%
- Inrush Current Peak ..... < 10 Amp
- FCC Compliance ..... Part 15, Subp. C
- Housing IP Rating ..... IP65
- Driver IP Rating ..... IP67
- Warranty ..... 5 Year

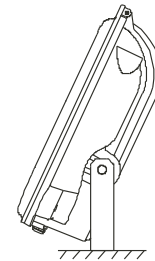
## MOUNTING OPTIONS



Ceiling Mount

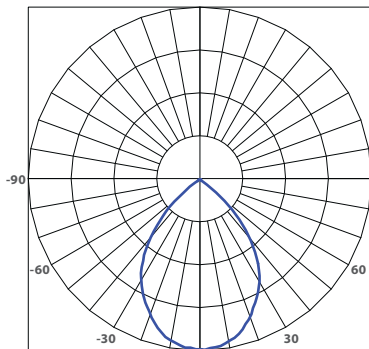


Wall Mount

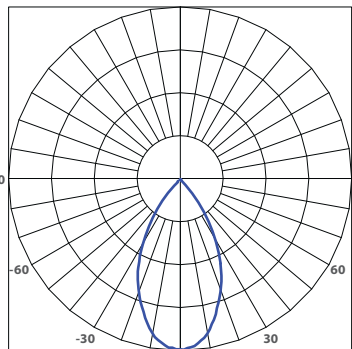


Ground Mount

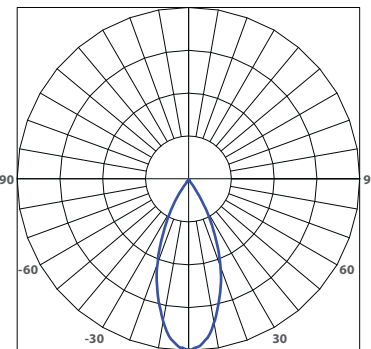
## PHOTOMETRICS (See Complete IES File)



90° Beam (B90)



60° Beam (B60)



45° Beam (B45)

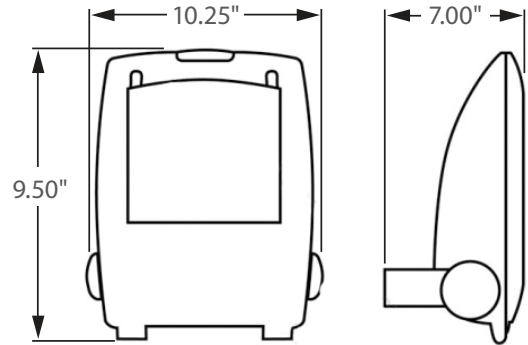
Neptun Light, Inc.  
13950 Business Center Drive  
Lake Forest, IL 60045  
Fax: 847.735.8004

Neptun Light, Inc. reserves the right to change materials or modify the design of its product without notification as part of the company's continuing product improvement program.  
©2002-2013 Neptun Light, Inc. All rights reserved.

Spec. Rev. 4-2015



**\*\* AVAILABLE \*\***  
**0 - 10V**  
**FULL DIMMING**



Incredible **100,000 hrs**

## GENERAL DESCRIPTION

Neptun's LED Flood fixtures feature classic form and durability to make it an excellent choice for new construction or retrofit applications. Neptun's LED-61 series fixtures feature high output LED's and custom engineered optics to provide excellent uniformity and efficiency. It can replace existing HID & HPS fixtures up to 100 Watts.

## APPLICATION

- Building Accent Lighting
- Landscape Lighting
- Security Lighting
- Parking Lot Lighting
- Area Lighting
- Storage Area Lighting
- Sign Lighting

## STRUCTURE, MATERIALS, & FEATURES

- Heavy-gauge, die-cast aluminum housing.
- Heat and impact resistant tempered glass lens with anti-glare diffuser.
- Corrosion resistant electrocoat finish (custom colors available).
- Continuous silicone gasket surrounds lens for weather - tight seal.
- Tool-less entry design for easy maintenance and installation.
- Adjustable yoke bracket mounting included.
- High Output COB LED's.
- High power factor, low THD driver with 10kV Surge Protection.
- InstantON flicker-free Cold Start and Hot Re-Start.
- Up to 15 years Maintenance free operation.
- 5 Year Warranty on complete fixture. (LED's, Driver, & Housing)
- **Optional:** 0-10V Dimming, Remote Monitoring and ON/ OFF Control, DC 24V Operation - Solar Compatible

## ORDERING INFORMATION

Sample Number: LED-61030-UNV-0-10VDIM-850-B60-GRY  
 Custom options and accessories available. Please consult factory

Series	Wattage	Voltage	Options	Color Temp	Beam Spread	Color
LED-61 = Flood Light	030 = 30W	UNV = 120-277 VAC 24VDC = 24 VDC	0-10VDIM = 0-10V Dimming * Contact Factory for Dimming options	835 = 3500°K 841 = 4100°K 850 = 5000°K* *Standard	B45 = 45° Beam B60 = 60° Beam B90 = 90° Beam	GRY = Grey BRZ = Bronze BLK = Black * Custom Colors Available



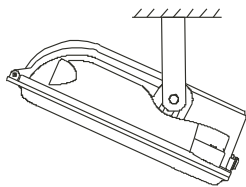
## PRODUCT INFORMATION

Model No.	Description	Rated Watts	Input Watts	Initial Lumens	Universal Line Voltage (VAC)	Max Line Current (Amp) @ 120 - 277	THD	Power Factor	Weight
LED-61030-UNV	LED Flood Fixture	30	31	2,700	120-277	0.26 - 0.11	<20%	>0.90	10 lbs

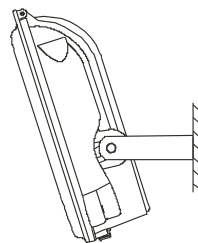
## SPECIFICATIONS

- Driver ..... Constant Current
- Start Method ..... InstantON
- Hot Re-start ..... InstantON
- Power Supply ..... 350mA
- Driver UL Rating ..... Class 1
- Driver UL Outdoor Rated ..... Wet Location
- Sound Rating ..... Class A
- ANSI Surge Protection ..... IEEE C62.41 C High
- Driver Off-State Draw ..... 0 Watts
- Universal Input Line Voltage ..... 120-277 VAC
- Input Line Frequency ..... 50/60 Hz
- Projected (L70) @ 25°C ..... > 100,000 hrs.
- Color Temperature ..... 5,000°K
- Color Rendering Index (CRI) ..... > 80
- Beam Angle ..... 45° / 60° / 90°
- Minimum Starting Temperature ..... -40°C
- Maximum Starting Temperature ..... +50°C
- Lumens per Watt ..... > 90
- Shock / Vibration Resistant ..... Yes
- Power Factor ..... > 0.90
- Total Harmonic Distortion ..... < 20%
- Inrush Current Peak ..... < 10 Amp
- FCC Compliance ..... Part 15, Subp. C
- Housing IP Rating ..... IP65
- Driver IP Rating ..... IP67
- Warranty ..... 5 Year

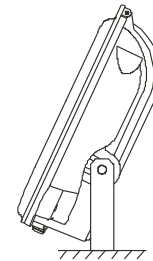
## MOUNTING OPTIONS



Ceiling Mount

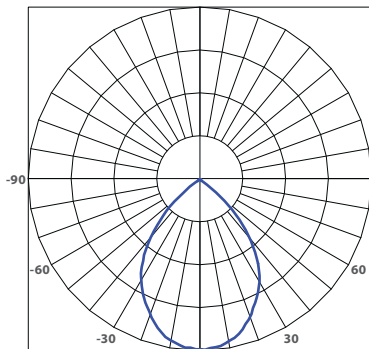


Wall Mount

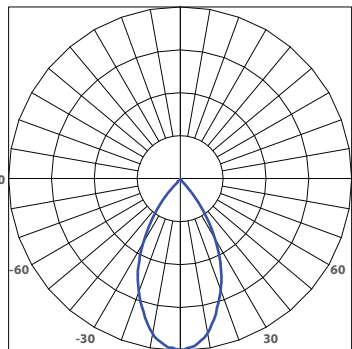


Ground Mount

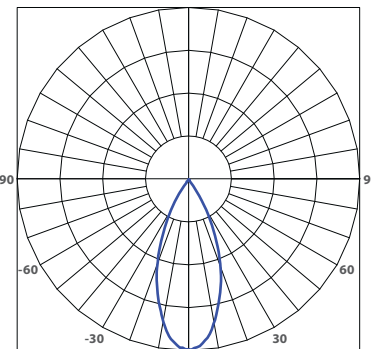
## PHOTOMETRICS (See Complete IES File)



90° Beam (B90)



60° Beam (B60)



45° Beam (B45)

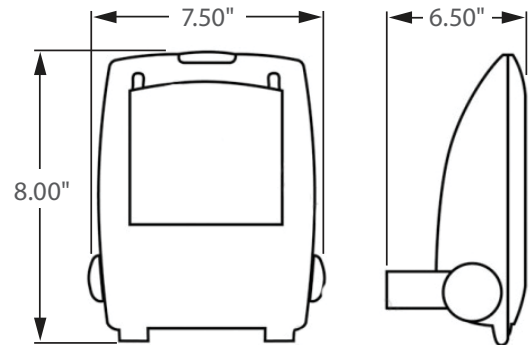
Neptun Light, Inc.  
13950 Business Center Drive  
Lake Forest, IL 60045  
Fax: 847.735.8004

Neptun Light, Inc. reserves the right to change materials or modify the design of its product without notification as part of the company's continuing product improvement program.  
©2002-2013 Neptun Light, Inc. All rights reserved.

Spec. Rev. 4-2015



**\*\* AVAILABLE \*\***  
**0 - 10V**  
**FULL DIMMING**



Incredible **100,000 hrs**

## GENERAL DESCRIPTION

Neptun's LED Flood fixtures feature classic form and durability to make it an excellent choice for new construction or retrofit applications. Neptun's LED-61 series fixtures feature high output LED's and custom engineered optics to provide excellent uniformity and efficiency. It can replace existing HID & HPS fixtures up to 70 Watts.

## APPLICATION

- Building Accent Lighting
- Landscape Lighting
- Security Lighting
- Parking Lot Lighting
- Area Lighting
- Storage Area Lighting
- Sign Lighting

## STRUCTURE, MATERIALS, & FEATURES

- Heavy-gauge, die-cast aluminum housing.
- Heat and impact resistant tempered glass lens with anti-glare diffuser.
- Corrosion resistant electrocoat finish (custom colors available).
- Continuous silicone gasket surrounds lens for weather - tight seal.
- Tool-less entry design for easy maintenance and installation.
- Adjustable yoke bracket mounting included.
- High Output COB LED's.
- High power factor, low THD driver with 10kV Surge Protection.
- InstantON flicker-free Cold Start and Hot Re-Start.
- Up to 15 years Maintenance free operation.
- 5 Year Warranty on complete fixture. (LED's, Driver, & Housing)
- **Optional:** 0-10V Dimming, Remote Monitoring and ON/ OFF Control, DC 24V Operation - Solar Compatible

## ORDERING INFORMATION

Sample Number: LED-61020-UNV-0-10VDIM-850-B60-GRY  
 Custom options and accessories available. Please consult factory

Series	Wattage	Voltage	Options	Color Temp	Beam Spread	Color
LED-61 = Flood Light	020 = 20W	UNV = 120-277 VAC 24VDC = 24 VDC	0-10VDIM = 0-10V Dimming * Contact Factory for Dimming options	835 = 3500°K 841 = 4100°K 850 = 5000°K* *Standard	B45 = 45° Beam B60 = 60° Beam B90 = 90° Beam	GRY = Grey BRZ = Bronze BLK = Black * Custom Colors Available



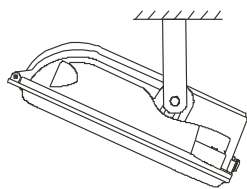
### PRODUCT INFORMATION

Model No.	Description	Rated Watts	Input Watts	Initial Lumens	Universal Line Voltage (VAC)	Max Line Current (Amp) @ 120 - 277	THD	Power Factor	Weight
LED-61020-UNV	LED Flood Fixture	20	21	1,800	120-277	0.17 - 0.07	<20%	>0.90	8 lbs

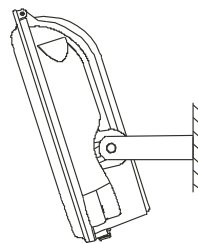
### SPECIFICATIONS

- Driver ..... Constant Current
- Start Method ..... InstantON
- Hot Re-start ..... InstantON
- Power Supply ..... 350mA
- Driver UL Rating ..... Class 1
- Driver UL Outdoor Rated ..... Wet Location
- Sound Rating ..... Class A
- ANSI Surge Protection ..... IEEE C62.41 C High
- Driver Off-State Draw ..... 0 Watts
- Universal Input Line Voltage ..... 120-277 VAC
- Input Line Frequency ..... 50/60 Hz
- Projected (L70) @ 25°C ..... > 100,000 hrs.
- Color Temperature ..... 5,000°K
- Color Rendering Index (CRI) ..... > 80
- Beam Angle ..... 45° / 60° / 90°
- Minimum Starting Temperature ..... -40°C
- Maximum Starting Temperature ..... +50°C
- Lumens per Watt ..... > 90
- Shock / Vibration Resistant ..... Yes
- Power Factor ..... > 0.90
- Total Harmonic Distortion ..... < 20%
- Inrush Current Peak ..... < 10 Amp
- FCC Compliance ..... Part 15, Subp. C
- Housing IP Rating ..... IP65
- Driver IP Rating ..... IP67
- Warranty ..... 5 Year

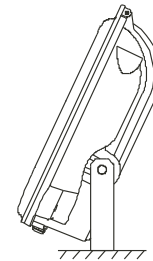
### MOUNTING OPTIONS



Ceiling Mount

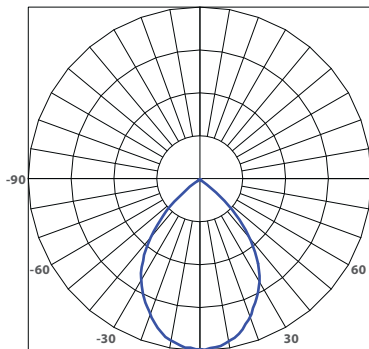


Wall Mount

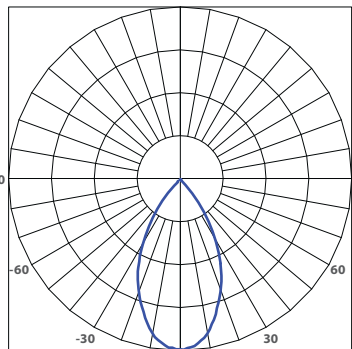


Ground Mount

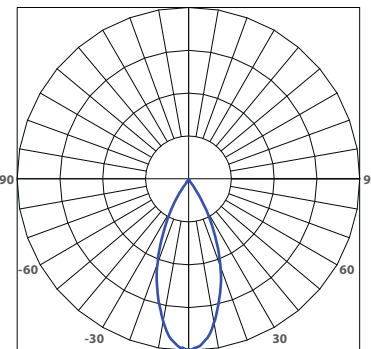
### PHOTOMETRICS (See Complete IES File)



90° Beam (B90)



60° Beam (B60)



45° Beam (B45)

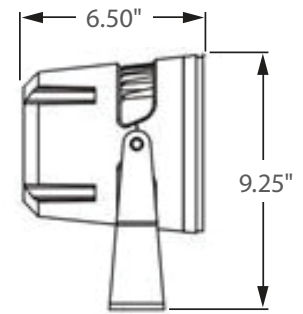
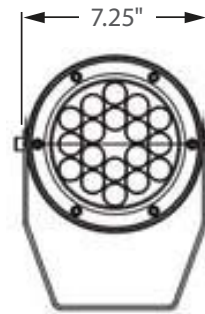
Neptun Light, Inc.  
13950 Business Center Drive  
Lake Forest, IL 60045  
Fax: 847.735.8004

Neptun Light, Inc. reserves the right to change materials or modify the design of its product without notification as part of the company's continuing product improvement program.  
©2002-2013 Neptun Light, Inc. All rights reserved.

Spec. Rev. 4-2015



**\*\* AVAILABLE \*\***  
**0 - 10V**  
**FULL DIMMING**



Incredible **100,000 hrs**

## GENERAL DESCRIPTION

Neptun's LED Flood light fixtures feature architectural design and durability to make it an excellent choice for new construction or retrofit applications. The LED-65 series fixtures feature high output LED's and custom engineered optics to provide excellent uniformity and efficiency. It can replace existing HID & HPS fixtures up to 100 Watts.

## APPLICATION

- Building Accent Lighting
- Landscape Lighting
- Security Lighting
- Sign Lighting
- Spot Lighting
- Area Lighting

## STRUCTURE, MATERIALS, & FEATURES

- Heavy-gauge, die-cast aluminum housing.
- Heat and impact resistant tempered glass lens with anti-glare diffuser.
- Corrosion resistant electrocoat grey finish (custom colors available).
- Continuous silicone gasket surrounds lens for weather - tight seal.
- Correlated Color Temperature of (5000°K) for greater visibility and safety.
- Adjustable yoke bracket mounting included.
- High Output COB LED's.
- High power factor, low THD driver with 10kV Surge Protection.
- InstantON flicker-free Cold Start and Hot Re-Start.
- Up to 15 years Maintenance free operation.
- 5 Year Warranty on complete fixture. (LED's, Driver, & Housing)
- **Optional:** 0-10V Dimming, Remote Monitoring and ON/ OFF Control, DC 24V Operation - Solar Compatible

## ORDERING INFORMATION

Sample Number: LED-66020-UNV-0-10VDIM-850-B30-GRY  
 Custom options and accessories available. Please consult factory

Series	Wattage	Voltage	Options	Color Temp	Beam Spread	Color
LED-66 = Flood Light	020 = 20 W 030 = 30 W	UNV = 120-277 VAC 24VDC = 24 VDC	0-10VDIM = 0-10V Dimming * Contact Factory for Dimming options	835 = 3500°K 841 = 4100°K 850 = 5000°K* * Standard	B30 = 30° Beam	GRY = Grey * Custom Colors Available





## PRODUCT INFORMATION

Model No.	Description	Rated Watts	Input Watts	Initial Lumens	Universal Line Voltage (VAC)	Max Line Current (Amp) @ 120 - 277	THD	Power Factor	Weight
LED-66020-UNV	LED Flood Fixture	20	21	1,700	120-277	0.17 - 0.07	<20%	>0.90	6 lbs
LED-66030-UNV	LED Flood Fixture	30	31	2,250	120-277	0.26 - 0.11	<20%	>0.90	6 lbs

## SPECIFICATIONS

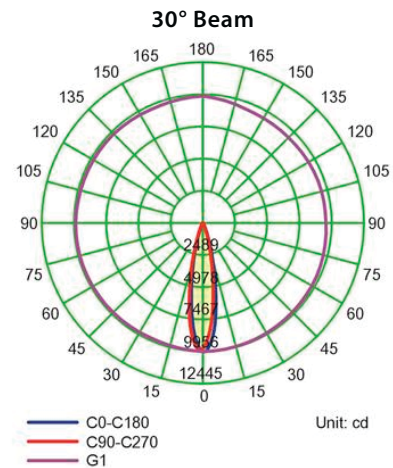
- Driver ..... Constant Current
- Start Method ..... InstantON
- Hot Re-start ..... InstantON
- Power Supply ..... 350mA
- Driver UL Rating ..... Class 1
- Driver UL Outdoor Rated ..... Wet Location
- Sound Rating ..... Class A
- ANSI Surge Protection ..... IEEE C62.41 C High
- Driver Off-State Draw ..... 0 Watts
- Universal Input Line Voltage ..... 120-277 VAC
- Input Line Frequency ..... 50/60 Hz
- Projected (L70) @ 25°C ..... > 100,000 hrs.
- Color Temperature ..... 5,000°K
- Color Rendering Index (CRI) ..... > 80
- Beam Angle ..... 30°
- Minimum Starting Temperature ..... -40°C
- Maximum Starting Temperature ..... +50°C
- Lumens per Watt ..... > 80
- Shock / Vibration Resistant ..... Yes
- Power Factor ..... > 0.90
- Total Harmonic Distortion ..... < 20%
- Inrush Current Peak ..... < 10 Amp
- FCC Compliance ..... Part 15, Subp. C
- Housing IP Rating ..... IP66
- Driver IP Rating ..... IP67
- Warranty ..... 5 Year

## MOUNTING OPTIONS

Adjustable Yoke Mount



## PHOTOMETRICS (See Complete IES File)



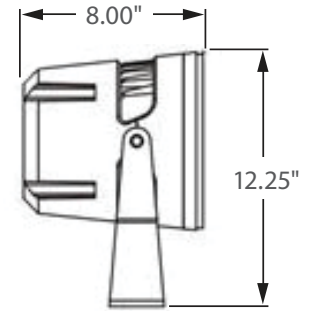
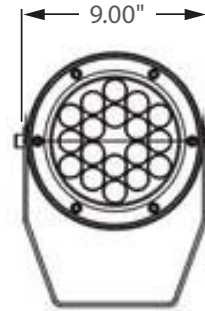
Neptun Light, Inc.  
13950 Business Center Drive  
Lake Forest, IL 60045  
Fax: 847.735.8004

Neptun Light, Inc. reserves the right to change materials or modify the design of its product without notification as part of the company's continuing product improvement program.  
©2002-2013 Neptun Light, Inc. All rights reserved.

Spec. Rev. 4-2015



**\*\* AVAILABLE \*\***  
**0 - 10V**  
**FULL DIMMING**



Incredible **100,000 hrs**

## GENERAL DESCRIPTION

Neptun's LED Flood light fixtures feature architectural design and durability to make it an excellent choice for new construction or retrofit applications. The LED-66 series fixtures feature high output LED's and custom engineered optics to provide excellent uniformity and efficiency. It can replace existing HID & HPS fixtures up to 175 Watts.

## APPLICATION

- Building Accent Lighting
- Landscape Lighting
- Security Lighting
- Sign Lighting
- Spot Lighting
- Area Lighting

## STRUCTURE, MATERIALS, & FEATURES

- Heavy-gauge, die-cast aluminum housing.
- Heat and impact resistant tempered glass lens with anti-glare diffuser.
- Corrosion resistant electrocoat grey finish (custom colors available).
- Continuous silicone gasket surrounds lens for weather - tight seal.
- Correlated Color Temperature of (5000°K) for greater visibility and safety.
- Adjustable yoke bracket mounting included.
- High Output COB LED's.
- High power factor, low THD driver with 10kV Surge Protection.
- InstantON flicker-free Cold Start and Hot Re-Start.
- Up to 15 years Maintenance free operation.
- 5 Year Warranty on complete fixture. (LED's, Driver, & Housing)
- **Optional:** 0-10V Dimming, Remote Monitoring and ON/ OFF Control, DC 24V Operation - Solar Compatible

## ORDERING INFORMATION

Sample Number: LED-66060-UNV-0-10VDIM-850-B30-GRY  
 Custom options and accessories available. Please consult factory

Series	Wattage	Voltage	Options	Color Temp	Beam Spread	Color
LED-66 = Flood Light	060 = 60 W 080 = 80 W	UNV = 120-277 VAC 24VDC = 24 VDC	0-10VDIM = 0-10V Dimming * Contact Factory for Dimming options	835 = 3500°K 841 = 4100°K 850 = 5000°K* * Standard	B30 = 30° Beam	GRY = Grey * Custom Colors Available



## PRODUCT INFORMATION

Model No.	Description	Rated Watts	Input Watts	Initial Lumens	Universal Line Voltage (VAC)	Max Line Current (Amp) @ 120 - 277	THD	Power Factor	Weight
LED-66060-UNV	LED Flood Fixture	60	62	5,100	120-277	0.52 - 0.22	<20%	>0.90	8 lbs
LED-66080-UNV	LED Flood Fixture	80	82	6,800	120-277	0.69 - 0.30	<20%	>0.90	8 lbs

## SPECIFICATIONS

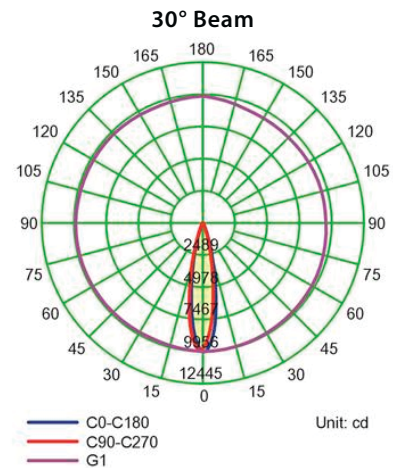
- Driver ..... Constant Current
- Start Method ..... InstantON
- Hot Re-start ..... InstantON
- Power Supply ..... 350mA
- Driver UL Rating ..... Class 1
- Driver UL Outdoor Rated ..... Wet Location
- Sound Rating ..... Class A
- ANSI Surge Protection ..... IEEE C62.41 C High
- Driver Off-State Draw ..... 0 Watts
- Universal Input Line Voltage ..... 120-277 VAC
- Input Line Frequency ..... 50/60 Hz
- Projected (L70) @ 25°C ..... > 100,000 hrs.
- Color Temperature ..... 5,000°K
- Color Rendering Index (CRI) ..... > 80
- Beam Angle ..... 30°
- Minimum Starting Temperature ..... -40°C
- Maximum Starting Temperature ..... +50°C
- Lumens per Watt ..... > 80
- Shock / Vibration Resistant ..... Yes
- Power Factor ..... > 0.90
- Total Harmonic Distortion ..... < 20%
- Inrush Current Peak ..... < 10 Amp
- FCC Compliance ..... Part 15, Subp. C
- Housing IP Rating ..... IP66
- Driver IP Rating ..... IP67
- Warranty ..... 5 Year

## MOUNTING OPTIONS

Adjustable Yoke Mount



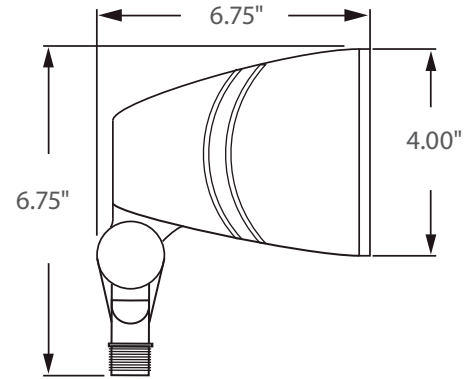
## PHOTOMETRICS (See Complete IES File)



Neptun Light, Inc.  
13950 Business Center Drive  
Lake Forest, IL 60045  
Fax: 847.735.8004

Neptun Light, Inc. reserves the right to change materials or modify the design of its product without notification as part of the company's continuing product improvement program.  
©2002-2013 Neptun Light, Inc. All rights reserved.

Spec. Rev. 4-2015



Incredible **100,000 hrs**

### GENERAL DESCRIPTION

Neptun's LED spot flood light fixtures feature architectural design and durability to make it an excellent choice for new construction or retrofit applications. The LED-SW21 series fixtures feature high output LED's and custom engineered optics to provide excellent uniformity and efficiency. Neptun's LED flood fixtures are offered in 12W and can replace up to 100W Incandescent Floods.

### APPLICATION

- Building Accent Lighting
- Landscape Lighting
- Security Lighting
- Sign Lighting
- Spot Lighting
- Area Lighting

### STRUCTURE, MATERIALS, & FEATURES

- Heavy-gauge, die-cast aluminum housing.
- Corrosion resistant electrocoat bronze finish (custom colors available).
- High efficiency, heat and impact resistant glass lens.
- Continuous silicone gasketing surrounds lens for weather - tight seal.
- Correlated Color Temperature of (5000°K) for greater visibility and safety.
- 1/2" Adjustable NPT mounting arm included.
- High Output Cree LED's.
- High power factor, low THD driver with 10kV Surge Protection.
- InstantON flicker-free Cold Start and Hot Re-Start.
- Up to 15 years Maintenance free operation.
- 5 Year Warranty on complete fixture. (LED's, Driver, & Housing)

### ORDERING INFORMATION

Sample Number: LED-SW21012-UNV-850-BRZ  
 Custom options and accessories available. Please consult factory

Series	Wattage	Voltage	Color Temp.	Color
LED-SW21 = Spot Flood Light Fixture	012 = 12 W	UNV = 120-277 VAC	835 = 3500°K 841 = 4100°K 850 = 5000°K	BRZ = Bronze <span style="display: inline-block; width: 10px; height: 10px; background-color: black; vertical-align: middle;"></span> * Custom colors available



## PRODUCT INFORMATION

Model No.	Description	Rated Watts	Input Watts	Initial Lumens	Universal Line Voltage (VAC)	Max Line Current (Amp) @ 120 - 277	THD	Power Factor	Weight
LED-SW21012-UNV	4" Spot Flood Light	12	13	800	120-277	0.10 - 0.04	<20%	>0.90	2 lbs

## SPECIFICATIONS

- Driver ..... Constant Current
- Start Method ..... InstantON
- Hot Re-start ..... InstantON
- Power Supply ..... 350mA
- Driver UL Rating ..... Class 1
- Driver UL Outdoor Rated ..... Wet Location
- Sound Rating ..... Class A
- ANSI Surge Protection ..... IEEE C62.41 C High
- Driver Off-State Draw ..... 0 Watts
- Universal Input Line Voltage ..... 120-277 VAC
- Input Line Frequency ..... 50/60 Hz
- Projected (L70) @ 25°C ..... > 100,000 hrs.
- Color Temperature ..... 5,000°K
- Color Rendering Index (CRI) ..... > 80
- Beam Angle ..... 65°
- Minimum Starting Temperature ..... -40°C
- Maximum Starting Temperature ..... +50°C
- Lumens per Watt ..... > 70
- Shock / Vibration Resistant ..... Yes
- Power Factor ..... > 0.90
- Total Harmonic Distortion ..... < 20%
- Inrush Current Peak ..... < 10 Amp
- FCC Compliance ..... Part 15, Subp. C
- Optics IP Rating ..... IP68
- Driver IP Rating ..... IP67
- Warranty ..... 5 Year

## MOUNTING OPTIONS



1/2" NPT  
Adjustable Mount

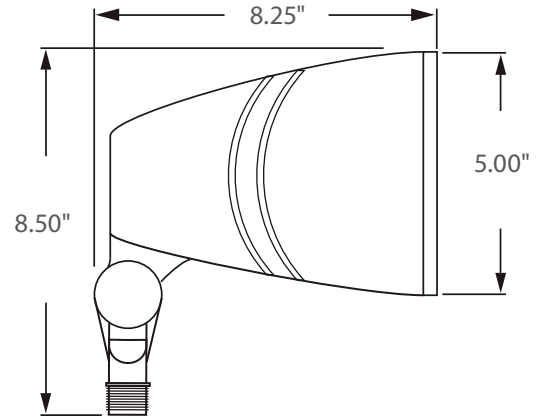
## PACKAGING DIMENSIONS

MODEL NO.	BOX DIMENSIONS	WEIGHT
LED-SW21012-UNV	6.00"(l) x 6.00"(w) x 8.00"(h)	2.25 lbs.

Neptun Light, Inc.  
13950 Business Center Drive  
Lake Forest, IL 60045  
Fax: 847.735.8004

Neptun Light, Inc. reserves the right to change materials or modify the design of its product without notification as part of the company's continuing product improvement program.  
©2002-2013 Neptun Light, Inc. All rights reserved.

Spec. Rev. 4-2015



Incredible **100,000** hrs

### GENERAL DESCRIPTION

Neptun's LED spot flood light fixtures feature architectural design and durability to make it an excellent choice for new construction or retrofit applications. The LED-SW22 series fixtures feature high output LED's and custom engineered optics to provide excellent uniformity and efficiency. Neptun's LED flood fixtures are offered in 30W and can replace up to 100W Incandescent Floods.

### APPLICATION

- Building Accent Lighting
- Landscape Lighting
- Security Lighting
- Sign Lighting
- Spot Lighting
- Area Lighting

### STRUCTURE, MATERIALS, & FEATURES

- Heavy-gauge, die-cast aluminum housing.
- Corrosion resistant electrocoat bronze finish (custom colors available).
- High efficiency, heat and impact resistant glass lens.
- Continuous silicone gasketing surrounds lens for weather - tight seal.
- Correlated Color Temperature of (5000°K) for greater visibility and safety.
- 1/2" Adjustable NPT mounting arm included.
- High Output Cree LED's.
- High power factor, low THD driver with 10kV Surge Protection.
- InstantON flicker-free Cold Start and Hot Re-Start.
- Up to 15 years Maintenance free operation.
- 5 Year Warranty on complete fixture. (LED's, Driver, & Housing)

### ORDERING INFORMATION

Sample Number: LED-SW22030-UNV-850-BRZ  
Custom options and accessories available. Please consult factory

Series	Wattage	Voltage	Color Temp.	Color
LED-SW22 = Spot Flood Light Fixture	030 = 30 W	UNV = 120-277 VAC	835 = 3500°K 841 = 4100°K 850 = 5000°K	BRZ = Bronze * Custom colors available



## PRODUCT INFORMATION

Model No.	Description	Rated Watts	Input Watts	Initial Lumens	Universal Line Voltage (VAC)	Max Line Current (Amp) @ 120 - 277	THD	Power Factor	Weight
LED-SW22030-UNV	5" Spot Flood Light	30	31	2,300	120-277	0.24 - 0.10	<20%	>0.90	3 lbs

## SPECIFICATIONS

- Driver ..... Constant Current
- Start Method ..... InstantON
- Hot Re-start ..... InstantON
- Power Supply ..... 350mA
- Driver UL Rating ..... Class 1
- Driver UL Outdoor Rated ..... Wet Location
- Sound Rating ..... Class A
- ANSI Surge Protection ..... IEEE C62.41 C High
- Driver Off-State Draw ..... 0 Watts
- Universal Input Line Voltage ..... 120-277 VAC
- Input Line Frequency ..... 50/60 Hz
- Projected (L70) @ 25°C ..... > 100,000 hrs.
- Color Temperature ..... 5,000°K
- Color Rendering Index (CRI) ..... > 80
- Beam Angle ..... 65°
- Minimum Starting Temperature ..... -40°C
- Maximum Starting Temperature ..... +50°C
- Lumens per Watt ..... > 70
- Shock / Vibration Resistant ..... Yes
- Power Factor ..... > 0.90
- Total Harmonic Distortion ..... < 20%
- Inrush Current Peak ..... < 10 Amp
- FCC Compliance ..... Part 15, Subp. C
- Optics IP Rating ..... IP68
- Driver IP Rating ..... IP67
- Warranty ..... 5 Year

## MOUNTING OPTIONS



1/2" NPT  
Adjustable Mount

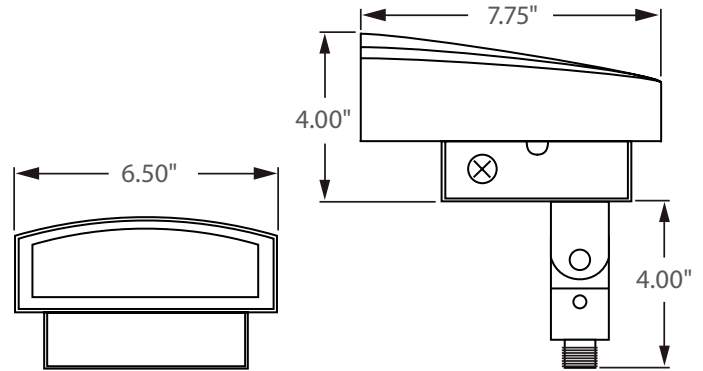
## PACKAGING DIMENSIONS

MODEL NO.	BOX DIMENSIONS	WEIGHT
LED-SW22030-UNV	7.00"(l) x 7.00"(w) x 9.50"(h)	3.95 lbs.

Neptun Light, Inc.  
13950 Business Center Drive  
Lake Forest, IL 60045  
Fax: 847.735.8004

Neptun Light, Inc. reserves the right to change materials or modify the design of its product without notification as part of the company's continuing product improvement program.  
©2002-2013 Neptun Light, Inc. All rights reserved.

Spec. Rev. 4-2015



Incredible **100,000 hrs**

### GENERAL DESCRIPTION

Neptun's Swiss Line LED flood light fixtures feature architectural design and durability to fit new construction and retrofit applications. The LED-SW23 series fixtures feature high output LED's and custom engineered optics to provide excellent uniformity and efficiency. Neptun's LED flood fixtures are offered in 20W or 30W to replace up to 100W HID and HPS Systems.

### APPLICATION

- Building Accent Lighting
- Landscape Lighting
- Security Lighting
- Sign Lighting
- Spot Lighting
- Area Lighting

### STRUCTURE, MATERIALS, & FEATURES

- Heavy-gauge, die-cast aluminum housing.
- Corrosion resistant electrocoat bronze finish (custom colors available).
- High efficiency, heat and impact resistant glass lens.
- Continuous silicone gasketing surrounds lens for weather - tight seal.
- Correlated Color Temperature of (5000°K) for greater visibility and safety.
- 1/2" Adjustable NPT mounting arm included.
- High Output Cree LED's.
- High power factor, low THD driver with 10kV Surge Protection.
- InstantON flicker-free Cold Start and Hot Re-Start.
- Up to 15 years Maintenance free operation.
- 5 Year Warranty on complete fixture. (LED's, Driver, & Housing)

### ORDERING INFORMATION

Sample Number: LED-SW23020-UNV-850-BRZ  
 Custom options and accessories available. Please consult factory

Series	Wattage	Voltage	Color Temp	Accessories	Color
LED-SW23 = Flood Light	020 = 20 W 030 = 30 W	UNV = 120-277 VAC	835 = 3500°K 841 = 4100°K 850 = 5000°K * * Standard	LD-120V = Photocell 120VAC LD-277V = Photocell 277VAC	BRZ = Bronze ■ * Custom Colors Available





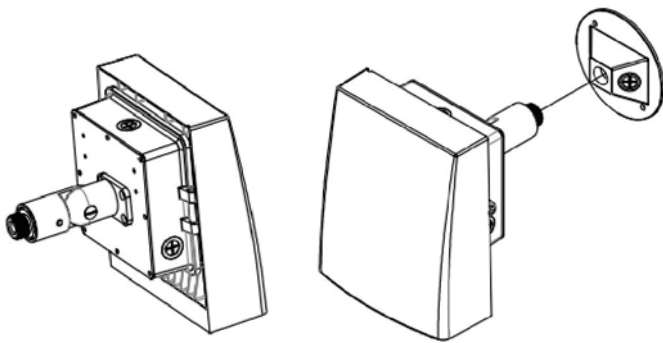
## PRODUCT INFORMATION

Model No.	Description	Rated Watts	Input Watts	Initial Lumens	Universal Line Voltage (VAC)	Max Line Current (Amp) @ 120 - 277	THD	Power Factor	Weight
LED-SW23020-UNV	Flood Light - 1/2" NPT	20	22	1,850	120-277	0.17 - 0.07	<20%	>0.90	4 lbs
LED-SW23030-UNV	Flood Light - 1/2" NPT	30	32	2,600	120-277	0.26 - 0.11	<20%	>0.90	4 lbs

## SPECIFICATIONS

- Driver ..... Constant Current
- Start Method ..... InstantON
- Hot Re-start ..... InstantON
- Power Supply ..... 350mA
- Driver UL Rating ..... Class 1
- Driver UL Outdoor Rated ..... Wet Location
- Sound Rating ..... Class A
- ANSI Surge Protection ..... IEEE C62.41 C High
- Driver Off-State Draw ..... 0 Watts
- Universal Input Line Voltage ..... 120-277 VAC
- Input Line Frequency ..... 50/60 Hz
- Projected (L70) @ 25°C ..... > 100,000 hrs.
- Color Temperature ..... 5,000°K
- Color Rendering Index (CRI) ..... > 80
- Beam Angle ..... 95°
- Minimum Starting Temperature ..... -40°C
- Maximum Starting Temperature ..... +50°C
- Lumens per Watt ..... > 70
- Shock / Vibration Resistant ..... Yes
- Power Factor ..... > 0.90
- Total Harmonic Distortion ..... < 20%
- Inrush Current Peak ..... < 10 Amp
- FCC Compliance ..... Part 15, Subp. C
- Optics IP Rating ..... IP68
- Driver IP Rating ..... IP67
- Warranty ..... 5 Year

## MOUNTING OPTIONS



1/2" NPT Mount

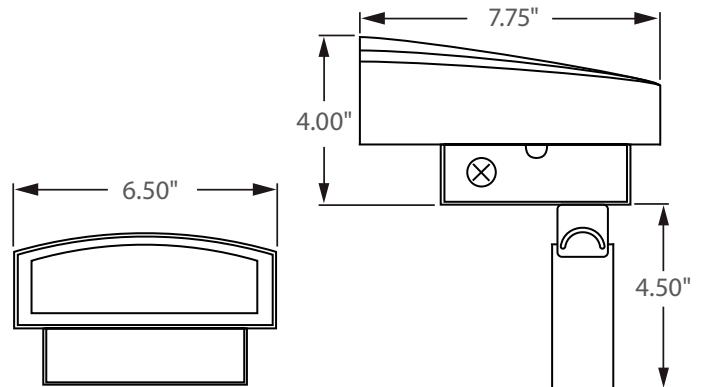
## PACKAGING DIMENSIONS

MODEL NO.	BOX DIMENSIONS	WEIGHT
LED-SW23020-UNV	8.50"(l) x 7.50"(w) x 9.50"(h)	4.55 lbs.
LED-SW23030-UNV	8.50"(l) x 7.50"(w) x 9.50"(h)	4.55 lbs.

Neptun Light, Inc.  
 13950 Business Center Drive  
 Lake Forest, IL 60045  
 Fax: 847.735.8004

Neptun Light, Inc. reserves the right to change materials or modify the design of its product without notification as part of the company's continuing product improvement program.  
 ©2002-2013 Neptun Light, Inc. All rights reserved.

Spec. Rev. 4-2015



Incredible **100,000 hrs**

### GENERAL DESCRIPTION

Neptun's Swiss Line LED flood light fixtures feature architectural design and durability to fit new construction and retrofit applications. The LED-SW24 series fixtures feature high output LED's and custom engineered optics to provide excellent uniformity and efficiency. Neptun's LED flood fixtures are offered in 20W or 30W to replace up to 100W HID and HPS Systems.

### APPLICATION

- Building Accent Lighting
- Landscape Lighting
- Security Lighting
- Sign Lighting
- Spot Lighting
- Area Lighting

### STRUCTURE, MATERIALS, & FEATURES

- Heavy-gauge, die-cast aluminum housing.
- Corrosion resistant electrocoat bronze finish (custom colors available).
- High efficiency, heat and impact resistant glass lens.
- Continuous silicone gasketing surrounds lens for weather - tight seal.
- Correlated Color Temperature of (5000°K) for greater visibility and safety.
- Adjustable Yoke Mount arm included.
- High Output Cree LED's.
- High power factor, low THD driver with 10kV Surge Protection.
- InstantON flicker-free Cold Start and Hot Re-Start.
- Up to 15 years Maintenance free operation.
- 5 Year Warranty on complete fixture. (LED's, Driver, & Housing)

### ORDERING INFORMATION

Sample Number: LED-SW24020-UNV-850-BRZ  
 Custom options and accessories available. Please consult factory

Series	Wattage	Voltage	Color Temp	Accessories	Color
LED-SW24 = Flood Light	020 = 20 W 030 = 30 W	UNV = 120-277 VAC	835 = 3500°K 841 = 4100°K 850 = 5000°K * * Standard	LD-120V = Photocell 120VAC LD-277V = Photocell 277VAC	BRZ = Bronze ■ * Custom Colors Available



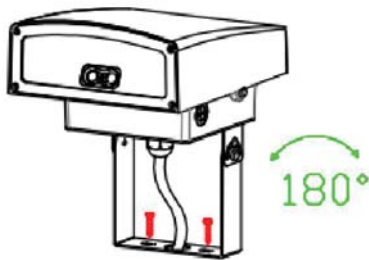
## PRODUCT INFORMATION

Model No.	Description	Rated Watts	Input Watts	Initial Lumens	Universal Line Voltage (VAC)	Max Line Current (Amp) @ 120 - 277	THD	Power Factor	Weight
LED-SW24020-UNV	Flood Light - Yoke	20	22	1,850	120-277	0.17 - 0.07	<20%	>0.90	4 lbs
LED-SW24030-UNV	Flood Light - Yoke	30	32	2,600	120-277	0.26 - 0.11	<20%	>0.90	4 lbs

## SPECIFICATIONS

- Driver ..... Constant Current
- Start Method ..... InstantON
- Hot Re-start ..... InstantON
- Power Supply ..... 350mA
- Driver UL Rating ..... Class 1
- Driver UL Outdoor Rated ..... Wet Location
- Sound Rating ..... Class A
- ANSI Surge Protection ..... IEEE C62.41 C High
- Driver Off-State Draw ..... 0 Watts
- Universal Input Line Voltage ..... 120-277 VAC
- Input Line Frequency ..... 50/60 Hz
- Projected (L70) @ 25°C ..... > 100,000 hrs.
- Color Temperature ..... 5,000°K
- Color Rendering Index (CRI) ..... > 80
- Beam Angle ..... 95°
- Minimum Starting Temperature ..... -40°C
- Maximum Starting Temperature ..... +50°C
- Lumens per Watt ..... > 70
- Shock / Vibration Resistant ..... Yes
- Power Factor ..... > 0.90
- Total Harmonic Distortion ..... < 20%
- Inrush Current Peak ..... < 10 Amp
- FCC Compliance ..... Part 15, Subp. C
- Optics IP Rating ..... IP68
- Driver IP Rating ..... IP67
- Warranty ..... 5 Year

## MOUNTING OPTIONS



Yoke Mount

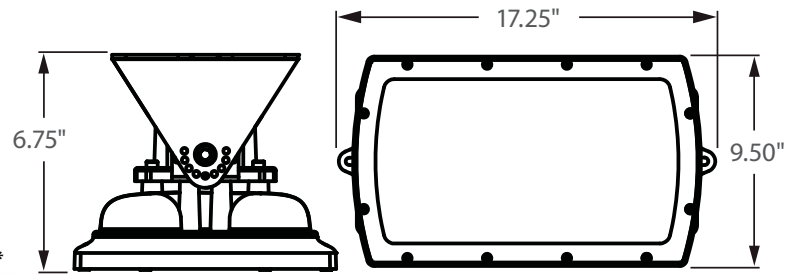
## PACKAGING DIMENSIONS

MODEL NO.	BOX DIMENSIONS	WEIGHT
LED-SW24020-UNV	8.50"(l) x 7.50"(w) x 9.50"(h)	4.55 lbs.
LED-SW24030-UNV	8.50"(l) x 7.50"(w) x 9.50"(h)	4.55 lbs.

Neptun Light, Inc.  
 13950 Business Center Drive  
 Lake Forest, IL 60045  
 Fax: 847.735.8004

Neptun Light, Inc. reserves the right to change materials or modify the design of its product without notification as part of the company's continuing product improvement program.  
 ©2002-2013 Neptun Light, Inc. All rights reserved.

Spec. Rev. 4-2015



\*\* AVAILABLE \*\*

Bi-Level Dimming  
100% 50%

0 - 10V  
FULL DIMMING

Incredible **100,000 hrs**

## GENERAL DESCRIPTION

Neptun's LED Flood fixtures feature architectural form and durability to make it an excellent choice for new construction or retrofit applications. Neptun's LED-27 series fixtures feature high output LED's and custom engineered optics to provide excellent uniformity and efficiency. It can replace existing HID & HPS fixtures up to 250 Watts..

## APPLICATION

- Building Accent Lighting
- Landscape Lighting
- Security Lighting
- Parking Lot Lighting
- Area Lighting
- Storage Area Lighting
- Sign Lighting

## STRUCTURE, MATERIALS, & FEATURES

- Heavy-gauge, die-cast aluminum housing with cooling fins.
- Heat and impact resistant tempered glass lens with anti-glare diffuser.
- Corrosion resistant electrocoat grey finish (custom colors available).
- Continuous silicone gasket surrounds lens for weather - tight seal.
- Adjustable angle mounting brackets included.
- 6 PCS High Output COB LED's.
- High power factor, low THD driver with 10kV Surge Protection.
- Instant-On flicker-free Cold Start and Hot Re-Start.
- Bright white light (5000°K) for greater visibility and safety.
- LED engine design with Advanced Thermal Management.
- Up to 15 year maintenance free operation.
- 10 Year Warranty on complete fixture. (LED's, Driver, & Housing)
- **Optional:** Bi-Level Dimming, 0-10V Dimming, Remote Monitoring and ON/ OFF Control

## ORDERING INFORMATION

Sample Number: LED-27080-L6-UNV-0-10VDIM-850-YK-LD-120V-B30-DGRY  
Custom options and accessories available. Please consult factory

Series	Wattage	Voltage	Options	CCT	Mounting	Accessories	Beam	Color
LED-27 = Flood	080-L6 = 80 W 100-L6 = 100 W 120-L6 = 120 W	UNV = 120-277 VAC 347V = 347 VAC 480V = 480 VAC	0-10VDIM = 0-10V Dimming BL-DIM = Bi-Level Dimming	835 = 3500°K 841 = 4100°K 850 = 5000°K * * Standard	YK = Yoke Mount ASM = Adjustable Surface Mount SFM = Surface Mount	LD-120V = Photocell-120V LD-277V = Photocell-277V MD = Motion Sensor	B30 = 30° Beam B60 = 60° Beam B90 = 90° Beam	GRY = Grey * Custom Colors available



lightinnovations@work™

## PRODUCT INFORMATION

Model No.	Description	Rated Watts	Input Watts	Initial Lumens	Universal Line Voltage (VAC)	Max Line Current (Amp) @ 120 - 277	THD	Power Factor	Weight
LED-27080-L6-UNV	LED Flood Fixture	80	82	8,400	120-277	0.69 - 0.30	<20%	>0.90	25 lbs
LED-27100-L6-UNV	LED Flood Fixture	100	102	10,200	120-277	0.87 - 0.37	<20%	>0.90	25 lbs
LED-27120-L6-UNV	LED Flood Fixture	120	122	12,200	120-277	1.05 - 0.45	<20%	>0.90	25 lbs

## SPECIFICATIONS

- Driver ..... Constant Current
- Start Method ..... InstantON
- Hot Re-start ..... InstantON
- Power Supply ..... 350mA
- Driver UL Rating ..... Class 1
- Driver UL Outdoor Rated ..... Wet Location
- Sound Rating ..... Class A
- ANSI Surge Protection ..... IEEE C62.41 C High
- Driver Off-State Draw ..... 0 Watts
- Universal Input Line Voltage ..... 120-277 VAC
- Input Line Frequency ..... 50/60 Hz
- Projected (L70) @ 25°C ..... > 100,000 hrs.
- Color Temperature ..... 5,000°K
- Color Rendering Index (CRI) ..... > 80
- Beam Angle ..... 30° / 60° / 90°
- Minimum Starting Temperature ..... -40°C
- Maximum Starting Temperature ..... +50°C
- Lumens per Watt ..... > 100
- Shock / Vibration Resistant ..... Yes
- Power Factor ..... > 0.90
- Total Harmonic Distortion ..... < 20%
- Inrush Current Peak ..... < 10 Amp
- FCC Compliance ..... Part 15, Subp. C
- Housing IP Rating ..... IP65
- Driver IP Rating ..... IP67
- Optics IP Rating ..... IP68
- Warranty ..... 10 Year

## MOUNTING OPTIONS

Adjustable Yoke Mount



Adjustable Surface Mount



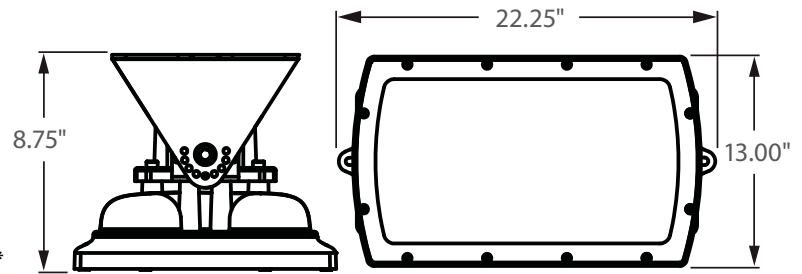
Surface Mount



Neptun Light, Inc.  
13950 Business Center Drive  
Lake Forest, IL 60045  
Fax: 847.735.8004

Neptun Light, Inc. reserves the right to change materials or modify the design of its product without notification as part of the company's continuing product improvement program.  
©2002-2013 Neptun Light, Inc. All rights reserved.

Spec. Rev. 5-2015



\*\* AVAILABLE \*\*



Incredible **100,000 hrs**

## GENERAL DESCRIPTION

Neptun's LED Flood fixtures feature architectural form and durability to make it an excellent choice for new construction or retrofit applications. Neptun's LED-27 series fixtures feature high output LED's and custom engineered optics to provide excellent uniformity and efficiency. It can replace existing HID & HPS fixtures up to 400 Watts..

## APPLICATION

- Building Accent Lighting
- Landscape Lighting
- Security Lighting
- Parking Lot Lighting
- Area Lighting
- Storage Area Lighting
- Sign Lighting

## STRUCTURE, MATERIALS, & FEATURES

- Heavy-gauge, die-cast aluminum housing with cooling fins.
- Heat and impact resistant tempered glass lens with anti-glare diffuser.
- Corrosion resistant electrocoat grey finish (custom colors available).
- Continuous silicone gasket surrounds lens for weather - tight seal.
- Adjustable angle mounting brackets included.
- 12 PCS High Output COB LED's.
- High power factor, low THD driver with 10kV Surge Protection.
- Instant-On flicker-free Cold Start and Hot Re-Start.
- Bright white light (5000°K) for greater visibility and safety.
- LED engine design with Advanced Thermal Management.
- Up to 15 year maintenance free operation.
- 10 Year Warranty on complete fixture. (LED's, Driver, & Housing)
- **Optional:** Bi-Level Dimming, 0-10V Dimming, Remote Monitoring and ON/ OFF Control

## ORDERING INFORMATION

Sample Number: LED-27150-L12-UNV-0-10VDIM-850-YK-LD-120V-B30-DGRY  
Custom options and accessories available. Please consult factory

Series	Wattage	Voltage	Options	CCT	Mounting	Accessories	Beam	Color
LED-27 = Flood	150-L12 = 150 W 180-L12 = 180 W 200-L12 = 200 W 220-L12 = 220 W	UNV = 120-277 VAC 347V = 347 VAC 480V = 480 VAC	0-10VDIM = 0-10V Dimming BL-DIM = Bi-Level Dimming	835 = 3500°K 841 = 4100°K 850 = 5000°K * * Standard	YK = Yoke Mount ASM = Adjustable Surface Mount SFM = Surface Mount	LD-120V = Photocell-120V LD-277V = Photocell-277V MD = Motion Sensor	B30 = 30° Beam B60 = 60° Beam B90 = 90° Beam	GRY = Grey * Custom Colors available



lightinnovations@work™

## PRODUCT INFORMATION

Model No.	Description	Rated Watts	Input Watts	Initial Lumens	Universal Line Voltage (VAC)	Max Line Current (Amp) @ 120 - 277	THD	Power Factor	Weight
LED-27150-L12-UNV	LED Flood Fixture	150	152	15,200	120-277	1.31 - 0.56	<20%	>0.90	32 lbs
LED-27180-L12-UNV	LED Flood Fixture	180	182	18,200	120-277	1.57 - 0.68	<20%	>0.90	32 lbs
LED-27200-L12-UNV	LED Flood Fixture	200	202	20,200	120-277	1.74 - 0.75	<20%	>0.90	32 lbs
LED-27220-L12-UNV	LED Flood Fixture	220	222	22,200	120-277	1.92 - 0.83	<20%	>0.90	32 lbs

## SPECIFICATIONS

- Driver ..... Constant Current
- Start Method ..... InstantON
- Hot Re-start ..... InstantON
- Power Supply ..... 350mA
- Driver UL Rating ..... Class 1
- Driver UL Outdoor Rated ..... Wet Location
- Sound Rating ..... Class A
- ANSI Surge Protection ..... IEEE C62.41 C High
- Driver Off-State Draw ..... 0 Watts
- Universal Input Line Voltage ..... 120-277 VAC
- Input Line Frequency ..... 50/60 Hz
- Projected (L70) @ 25°C ..... > 100,000 hrs.
- Color Temperature ..... 5,000°K
- Color Rendering Index (CRI) ..... > 80
- Beam Angle ..... 30° / 60° / 90°
- Minimum Starting Temperature ..... -40°C
- Maximum Starting Temperature ..... +50°C
- Lumens per Watt ..... > 100
- Shock / Vibration Resistant ..... Yes
- Power Factor ..... > 0.90
- Total Harmonic Distortion ..... < 20%
- Inrush Current Peak ..... < 10 Amp
- FCC Compliance ..... Part 15, Subp. C
- Housing IP Rating ..... IP65
- Driver IP Rating ..... IP67
- Optics IP Rating ..... IP68
- Warranty ..... 10 Year

## MOUNTING OPTIONS

Adjustable Yoke Mount



Adjustable Surface Mount



Surface Mount

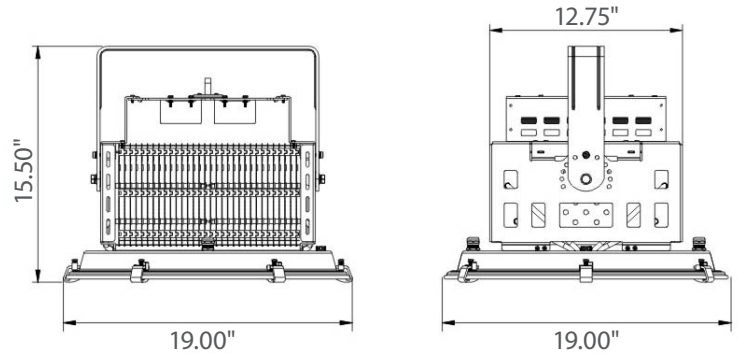


Neptun Light, Inc.  
13950 Business Center Drive  
Lake Forest, IL 60045  
Fax: 847.735.8004

Neptun Light, Inc. reserves the right to change materials or modify the design of its product without notification as part of the company's continuing product improvement program.  
©2002-2013 Neptun Light, Inc. All rights reserved.

Spec. Rev. 5-2015

### REPLACEMENT FOR 1500W HID



Incredible **100,000 hrs**

### GENERAL DESCRIPTION

Neptun's LED High-Output Flood Light fixture features an architectural design and durability to be used in new construction or retrofit applications. The LED-SL60 series fixture features excellent optics and its rugged design allows for use in a variety of indoor and outdoor applications. It can replace existing HID & HPS fixtures up to 1500 Watts.

### APPLICATION

- Flood Lighting
- Sports Field Lighting
- High-Mast Lighting
- Sports Arena Lighting
- Gymnasium Lighting
- Area & Storage Lighting

### STRUCTURE, MATERIALS, & FEATURES

- Heavy-gauge, die-cast aluminum housing with cooling fins.
- Heat and impact resistant tempered glass lens with anti-glare diffuser.
- Continuous silicone gasket surrounds lens for weather - tight seal.
- Instant-On flicker-free Cold Start and Hot Re-Start.
- Bright white light (5000°K) for greater visibility and safety.
- LED engine design with Advanced Thermal Management.
- High power factor, low THD driver with 10kV Surge Protection.
- High Output LED's.
- Up to 15 year maintenance free operation.
- 5 Year Warranty on complete fixture. (LED's, Driver, & Housing)
- **Optional:** 0-10V Dimming, Wi-Fi Control, Remote Monitoring and ON/ OFF Control

### ORDERING INFORMATION

Sample Number: LED-SL60-500-UNV-0-10VDIM-850-B06-LD-120V  
Custom options and accessories available. Please consult factory

Series	Wattage	Voltage	Options	Color Temp	Beam Angle	Accessories
LED-SL60 = Flood Light	250 = 250 W 500 = 500 W	UNV = 120-277 VAC 347V = 347 VAC 480V = 480 VAC	0-10VDIM = 0-10V Dimming * Contact Factory for dimming options.	835 = 3500°K 841 = 4100°K 850 = 5000°K* * Standard	B06 = 6° Beam B10 = 10° Beam B20 = 20° Beam B25 = 25° Beam B30 = 30° Beam B60 = 60° Beam	LD-120V = 120V Photocell LD-277V = 277V Photocell



lightinnovations@work™



### PRODUCT INFORMATION

Model No.	Description	Rated Watts	Input Watts	Initial Lumens	Universal Line Voltage (VAC)	Max Line Current (Amp) @ 120 - 277	THD	Power Factor	Weight
LED-SL60-250-UNV	LED Flood Light	250	252	25,000	120-277	2.18 - 0.94	<20%	>0.90	60 lbs
LED-SL60-500-UNV	LED Flood Light	500	502	50,000	120-277	4.37 - 1.89	<20%	>0.90	60 lbs

### SPECIFICATIONS

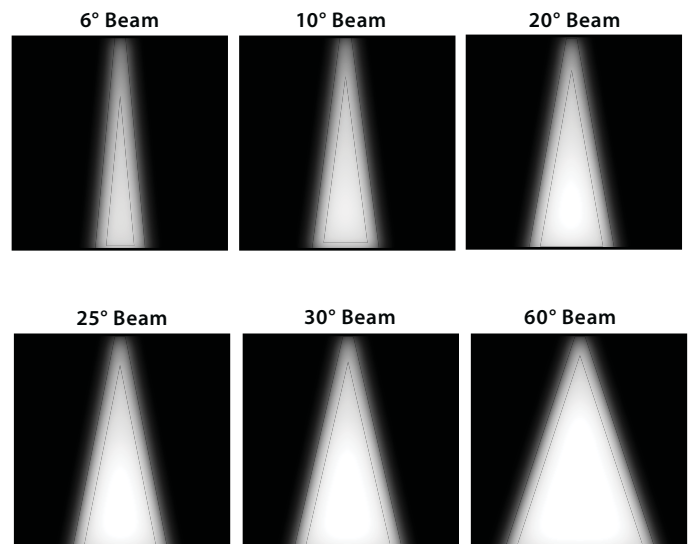
- Driver ..... Constant Current
- Start Method ..... InstantON
- Hot Re-start ..... InstantON
- Power Supply ..... 350mA
- Driver UL Rating ..... Class 1
- Driver UL Outdoor Rated ..... Wet Location
- Sound Rating ..... Class A
- ANSI Surge Protection ..... IEEE C62.41 C High
- Driver Off-State Draw ..... 0 Watts
- Universal Input Line Voltage ..... 120-277 VAC
- Input Line Frequency ..... 50/60 Hz
- Projected (L70) @ 25°C ..... > 100,000 hrs.
- Color Temperature ..... 5,000°K
- Color Rendering Index (CRI) ..... > 80
- Beam Angle ..... 6°/10°/20°/25°/30°/60°
- Minimum Starting Temperature ..... -40°C
- Maximum Starting Temperature ..... +50°C
- Lumens per Watt ..... > 90
- Shock / Vibration Resistant ..... Yes
- Power Factor ..... > 0.90
- Total Harmonic Distortion ..... < 20%
- Inrush Current Peak ..... < 10 Amp
- FCC Compliance ..... Part 15, Subp. C
- Housing IP Rating ..... IP65
- Driver IP Rating ..... IP67
- Warranty ..... 5 Year

### MOUNTING OPTIONS

ADJUSTABLE  
YOKE BRACKET



### PHOTOMETRICS (See Complete IES File)

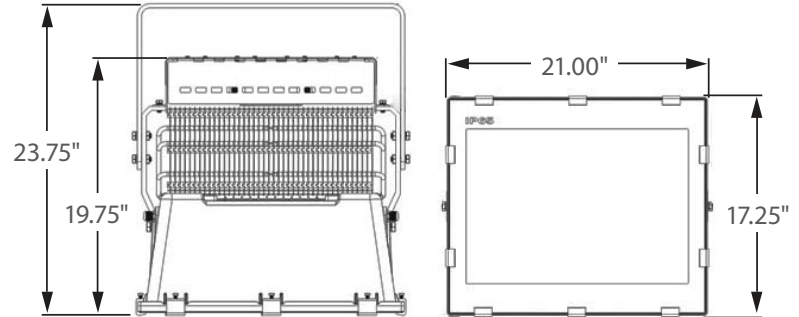


Neptun Light, Inc.  
13950 Business Center Drive  
Lake Forest, IL 60045  
Fax: 847.735.8004

Neptun Light, Inc. reserves the right to change materials or modify the design of its product without notification as part of the company's continuing product improvement program.  
©2002-2013 Neptun Light, Inc. All rights reserved.

Spec. Rev. 4-2015

### REPLACEMENT FOR 2000W HID



Incredible **100,000 hrs**

### GENERAL DESCRIPTION

Neptun's LED Sports Lighter fixture features an architectural design and durability to be used in new construction or retrofit applications. The LED-SL61 series fixture features excellent optics and its rugged design allows for use in a variety of indoor and outdoor applications. It can replace existing HID & HPS fixtures up to 2000 Watts.

### APPLICATION

- Sports Field Lighting
- High-Mast Lighting
- Sports Arena Lighting
- Spot Lighting
- Area & Storage Lighting

### STRUCTURE, MATERIALS, & FEATURES

- Heavy-gauge, die-cast aluminum housing with cooling fins.
- Heat and impact resistant tempered glass lens with anti-glare diffuser.
- Continuous silicone gasket surrounds lens for IP65 weather - tight seal.
- Instant-On flicker-free Cold Start and Hot Re-Start.
- Bright white light (5000°K) for greater visibility and safety.
- LED engine design with Advanced Thermal Management.
- High power factor, low THD driver with 10kV Surge Protection.
- High Output LED's.
- Up to 15 year maintenance free operation.
- 5 Year Warranty on complete fixture. (LED's, Driver, & Housing)
- **Optional:** Bi-Level Dimming, 0-10V Dimming, Wi-Fi Control, Remote Monitoring and ON/ OFF Control

### ORDERING INFORMATION

Sample Number: LED-SL61-1000-UNV-0-10VDIM-850-B10-90-BLK  
Custom options and accessories available. Please consult factory

Series	Wattage	Voltage	Options	Color Temp	Beam Angle	Color
LED-SL61 = Flood Light	1000 = 1000W	UNV = 120-277 VAC	0-10VDIM = 0-10V Dimming * Contact Factory for dimming options.	835 = 3500°K 841 = 4100°K 850 = 5000°K* * Standard	B10-90 = 10 x 90° B50-90 = 50 x 90°	BLK = Black <span style="display: inline-block; width: 15px; height: 15px; background-color: black; vertical-align: middle;"></span>



### PRODUCT INFORMATION

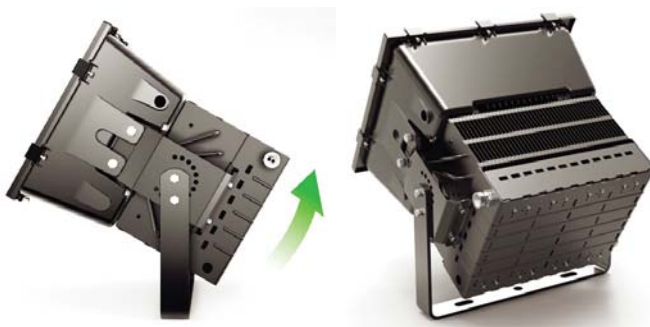
Model No.	Description	Rated Watts	Input Watts	Initial Lumens	Universal Line Voltage (VAC)	Max Line Current (Amp) @ 120 - 277	THD	Power Factor	Weight
LED-SL61-1000-UNV	LED Flood Light	1000	1005	90,000	120-277	8.74 - 3.79	<20%	>0.90	60 lbs

### SPECIFICATIONS

- Driver ..... Constant Current
- Start Method ..... InstantON
- Hot Re-start ..... InstantON
- Power Supply ..... 350mA
- Driver UL Rating ..... Class 1
- Driver UL Outdoor Rated ..... Wet Location
- Sound Rating ..... Class A
- ANSI Surge Protection ..... IEEE C62.41 C High
- Driver Off-State Draw ..... 0 Watts
- Universal Input Line Voltage ..... 120-277 VAC
- Input Line Frequency ..... 50/60 Hz
- Projected (L70) @ 25°C ..... > 100,000 hrs.
- Color Temperature ..... 5,000°K
- Color Rendering Index (CRI) ..... > 80
- Beam Angle ..... 10/90° / 50/90°
- Minimum Starting Temperature ..... -40°C
- Maximum Starting Temperature ..... +50°C
- Lumens per Watt ..... > 90
- Shock / Vibration Resistant ..... Yes
- Power Factor ..... > 0.90
- Total Harmonic Distortion ..... < 20%
- Inrush Current Peak ..... < 10 Amp
- FCC Compliance ..... Part 15, Subp. C
- Housing IP Rating ..... IP65
- Driver IP Rating ..... IP67
- Warranty ..... 5 Year

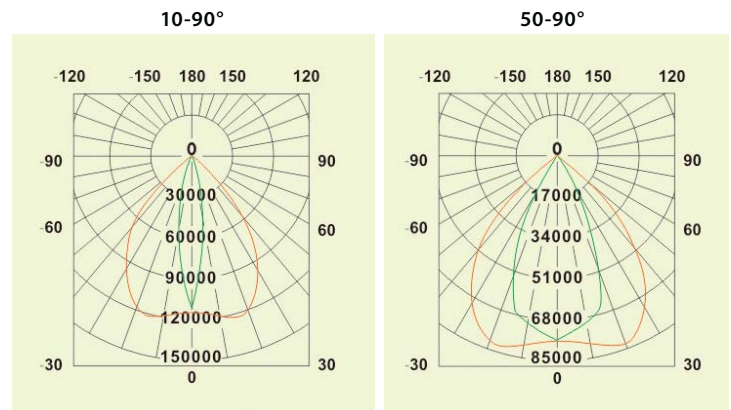
### MOUNTING OPTIONS

#### ADJUSTABLE YOKE BRACKET



240° Adjustable Tilt

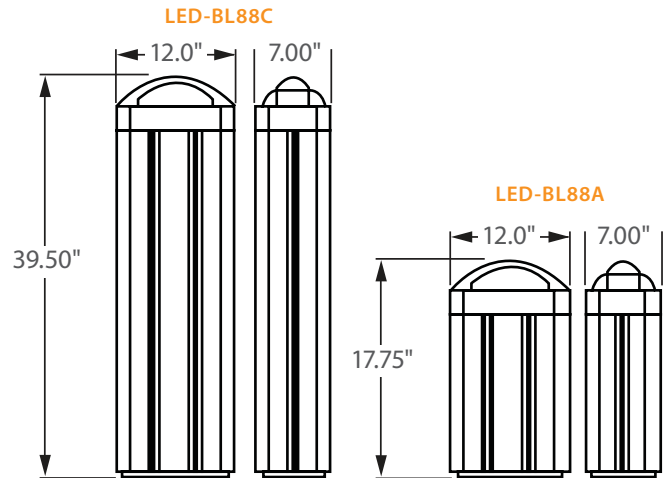
### PHOTOMETRICS (See Complete IES File)



Neptun Light, Inc.  
 13950 Business Center Drive  
 Lake Forest, IL 60045  
 Fax: 847.735.8004

Neptun Light, Inc. reserves the right to change materials or modify the design of its product without notification as part of the company's continuing product improvement program.  
 ©2002-2013 Neptun Light, Inc. All rights reserved.

Spec. Rev. 4-2015



Incredible **100,000** hrs

## GENERAL DESCRIPTION

Neptun's LED bollards features architectural design and durability to make it an excellent choice for new construction or retrofit applications. The LED-B88 series feature custom engineered optics for excellent illumination and uniformity. It can replace existing HID & HPS fixtures up to 100W.

## APPLICATION

- Security Lighting
- Area Lighting
- Walkway Lighting
- Landscape Lighting

## STRUCTURE, MATERIALS, & FEATURES

- Heavy-gauge, die-cast aluminum housing.
- High Efficiency, UV protected, non-yellowing polycarbonate lens.
- Corrosion resistant electrocoat black finish (custom colors available).
- Continuous silicone gasketing surrounds lens for weather - tight seal.
- High output COB LED's.
- Bright white light (5000°K) for greater visibility and safety.
- High power factor, low THD driver with 10kV surge protection.
- InstantON flicker-free Cold Start and Hot Re-Start.
- Up to 15 years Maintenance free operation.
- 5 Year Warranty on complete fixture. (LED's & Housing)

## ORDERING INFORMATION

Sample Number: LED-BL88A-015-UNV-850-BLK  
Custom options and accessories available. Please consult factory

Series	Wattage	Voltage	Color Temp.	Color
<b>LED-BL88A</b> = 17.75" Bollard <b>LED-BL88C</b> = 39.50" Bollard	<b>015</b> = 15 W	<b>UNV</b> = 120-277VAC	<b>830</b> = 3000°K <b>841</b> = 4100°K <b>850</b> = 5000°K* * Standard	<b>BLK</b> = Black <span style="display:inline-block; width:10px; height:10px; background-color:black;"></span> * Custom Colors Available



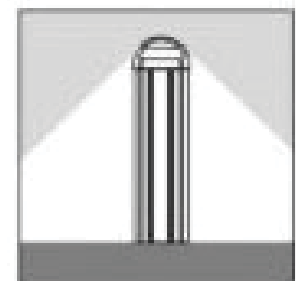
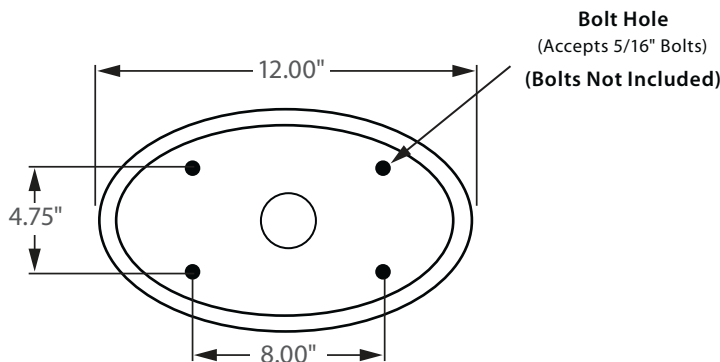
### PRODUCT INFORMATION

Model No.	Description	Rated Watts	Input Watts	Initial Lumens	Universal Line Voltage (VAC)	Max Line Current (Amp) @ 120 - 277	THD	Power Factor	Weight
LED-BL88A015-UNV	Bollard Fixture	15	16	1,250	120 - 277	0.13 - 0.05	<20%	>0.90	20 lbs
LED-BL88C015-UNV	Bollard Fixture	15	16	1,250	120 - 277	0.13 - 0.05	<20%	>0.90	20 lbs

### SPECIFICATIONS

- LED Driver ..... Constant Current
- Power Supply ..... 350mA
- Start Method ..... InstantON
- Hot Re-start ..... InstantON
- Driver UL Rating ..... Class 1
- Driver UL Outdoor Rated ..... Wet Location
- Sound Rating ..... Class A
- ANSI Surge Protection ..... IEEE C62.41 C High
- Driver Off-State Draw ..... 0 Watts
- Universal Input Line Voltage ..... 120-277 VAC
- Input Line Frequency ..... 50/60 Hz
- Projected (L70) @ 25°C ..... > 100,000 hrs.
- Color Temperature ..... 5,000°K
- Color Rendering Index (CRI) ..... > 80
- Minimum Starting Temperature ..... -40°C
- Maximum Starting Temperature ..... +50°C
- Lumens per Watt ..... > 80
- Shock / Vibration Resistant ..... Yes
- Power Factor ..... > 0.90
- Total Harmonic Distortion ..... < 20%
- Inrush Current Peak ..... < 10 Amp
- FCC Compliance ..... Part 15, Subp. C
- IP Rating ..... IP65
- Warranty ..... 5 Year

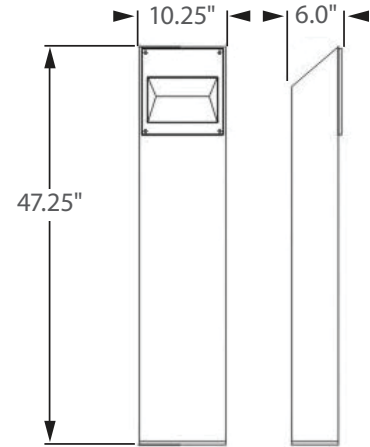
### DRILLING PATTERN



Neptun Light, Inc.  
 13950 Business Center Drive  
 Lake Forest, IL 60045  
 Fax: 847.735.8004

Neptun Light, Inc. reserves the right to change materials or modify the design of its product without notification as part of the company's continuing product improvement program.  
 ©2002-2013 Neptun Light, Inc. All rights reserved.

Spec. Rev. 4-2015



Incredible **100,000** hrs

## GENERAL DESCRIPTION

Neptun's LED bollards features architectural design and durability to make it an excellent choice for new construction or retrofit applications. The LED-B89 series feature custom engineered optics for excellent illumination and uniformity. It can replace existing HID & HPS fixtures up to 100W.

## APPLICATION

- Security Lighting
- Area Lighting
- Walkway Lighting
- Landscape Lighting

## STRUCTURE, MATERIALS, & FEATURES

- Heavy-gauge, die-cast aluminum housing.
- High Efficiency, UV protected, non-yellowing polycarbonate lens.
- Corrosion resistant electrocoat black finish (custom colors available).
- Continuous silicone gasketing surrounds lens for weather - tight seal.
- High output COB LED's
- Bright white light (5000°K) for greater visibility and safety.
- High power factor, low THD driver with 10kV Surge Protection.
- InstantON flicker-free Cold Start and Hot Re-Start.
- Up to 15 years Maintenance free operation.
- 5 Year Warranty on complete fixture. (LED's & Housing)

## ORDERING INFORMATION

Sample Number: LED-BL89-015-UNV-850-BLK  
Custom options and accessories available. Please consult factory

Series	Wattage	Voltage	Color Temp.	Color
LED-BL89 = Bollard	015 = 15 W	UNV = 120-277VAC	830 = 3000°K 841 = 4100°K 850 = 5000°K* * Standard	BLK = Black <span style="display:inline-block; width:10px; height:10px; background-color:black;"></span> * Custom Colors Available



lightinnovations@work™

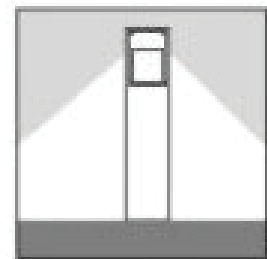
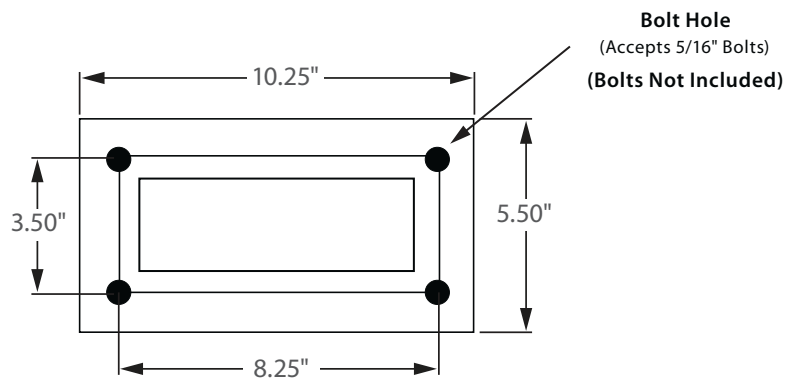
### PRODUCT INFORMATION

Model No.	Description	Rated Watts	Input Watts	Initial Lumens	Universal Line Voltage (VAC)	Max Line Current (Amp) @ 120 - 277	THD	Power Factor	Weight
LED-BL89015-UNV	Bollard Fixture	15	16	1,250	120 - 277	0.13 - 0.05	<20%	>0.90	20 lbs

### SPECIFICATIONS

- LED Driver ..... Constant Current
- Power Supply ..... 350mA
- Start Method ..... InstantON
- Hot Re-start ..... InstantON
- Driver UL Rating ..... Class 1
- Driver UL Outdoor Rated ..... Wet Location
- Sound Rating ..... Class A
- ANSI Surge Protection ..... IEEE C62.41 C High
- Driver Off-State Draw ..... 0 Watts
- Universal Input Line Voltage ..... 120-277 VAC
- Input Line Frequency ..... 50/60 Hz
- Projected (L70) @ 25°C ..... > 100,000 hrs.
- Color Temperature ..... 5,000°K
- Color Rendering Index (CRI) ..... > 80
- Minimum Starting Temperature ..... -40°C
- Maximum Starting Temperature ..... +50°C
- Lumens per Watt ..... > 80
- Shock / Vibration Resistant ..... Yes
- Power Factor ..... > 0.90
- Total Harmonic Distortion ..... < 20%
- Inrush Current Peak ..... < 10 Amp
- FCC Compliance ..... Part 15, Subp. C
- IP Rating ..... IP65
- Warranty ..... 5 Year

### DRILLING PATTERN

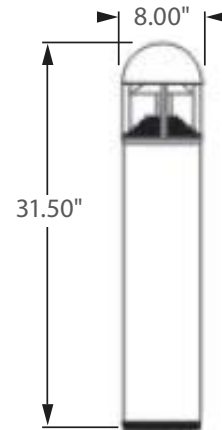


Neptun Light, Inc.  
 13950 Business Center Drive  
 Lake Forest, IL 60045  
 Fax: 847.735.8004

Neptun Light, Inc. reserves the right to change materials or modify the design of its product without notification as part of the company's continuing product improvement program.  
 ©2002-2013 Neptun Light, Inc. All rights reserved.

Spec. Rev. 4-2015

LAMP INCLUDED



Incredible **50,000 hrs**

## GENERAL DESCRIPTION

Neptun's LED bollards features architectural design and durability to make it an excellent choice for new construction or retrofit applications. The LED-B90 series feature custom engineered optics for excellent illumination and uniformity. It can replace existing HID & HPS fixtures up to 100W.

## APPLICATION

- Security Lighting
- Area Lighting
- Walkway Lighting
- Landscape Lighting

## STRUCTURE, MATERIALS, & FEATURES

- Heavy-gauge, die-cast aluminum housing.
- High Efficiency, UV protected, non-yellowing polycarbonate lens.
- Corrosion resistant electrocoat black finish (custom colors available).
- Continuous silicone gasketing surrounds lens for weather - tight seal.
- High output LED lamp supplied.
- Bright white light (5000°K) for greater visibility and safety.
- InstantON flicker-free Cold Start and Hot Re-Start.
- Up to 15 years Maintenance free operation.
- 5 Year Warranty on complete fixture. (LED's & Housing)

## ORDERING INFORMATION

Sample Number: LED-BL90-015-UNV-850-BLK  
Custom options and accessories available. Please consult factory

Series	Wattage	Voltage	Color Temp.	Color
LED-BL90 = Bollard	015 = 15 W	UNV = 120-277VAC	830 = 3000°K 841 = 4100°K 850 = 5000°K* * Standard	BLK = Black <span style="display:inline-block; width:10px; height:10px; background-color:black;"></span> * Custom Colors Available



*lightinnovations@work*™



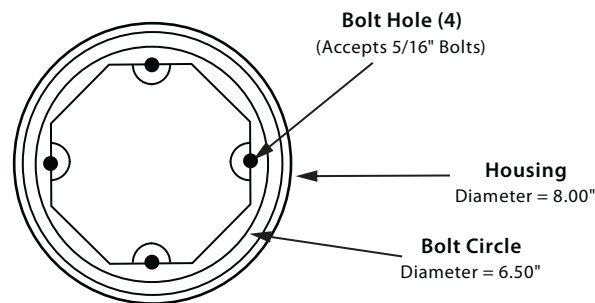
### PRODUCT INFORMATION

Model No.	Description	Rated Watts	Input Watts	Initial Lumens	Universal Line Voltage (VAC)	Max Line Current (Amp) @ 120 - 277	THD	Power Factor	Weight
LED-BL90015-UNV	Bollard Fixture	15	16	1,250	120 - 277	0.13 - 0.05	<20%	>0.90	20 lbs

### SPECIFICATIONS

- LED Driver ..... Constant Current
- Power Supply ..... 350mA
- Start Method ..... InstantON
- Hot Re-start ..... InstantON
- Universal Input Line Voltage ..... 120-277 VAC
- Input Line Frequency ..... 50/60 Hz
- Driver Off-State Draw ..... 0 Watts
- Sound Rating ..... Class A
- Projected (L70) @ 85°C ..... > 50,000 hrs.
- Color Temperature ..... 5,000°K
- Color Rendering Index (CRI) ..... > 80
- Minimum Starting Temperature ..... -40°C
- Maximum Starting Temperature ..... +50°C
- Lumens per Watt ..... > 80
- Shock / Vibration Resistant ..... Yes
- Power Factor ..... > 0.90
- Total Harmonic Distortion ..... < 20%
- Inrush Current Peak ..... < 10 Amp
- FCC Compliance ..... Part 15, Subp. C
- IP Rating ..... IP65
- Warranty ..... 5 Year

### DRILLING PATTERN

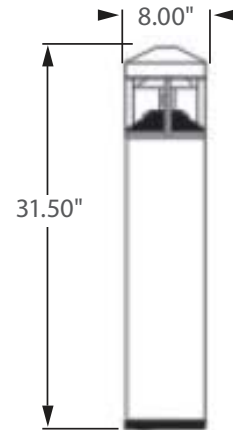


(Bolts Not Included)

Neptun Light, Inc.  
 13950 Business Center Drive  
 Lake Forest, IL 60045  
 Fax: 847.735.8004

Neptun Light, Inc. reserves the right to change materials or modify the design of its product without notification as part of the company's continuing product improvement program.  
 ©2002-2013 Neptun Light, Inc. All rights reserved. Spec. Rev. 4-2015

LAMP INCLUDED



Incredible **50,000 hrs**

## GENERAL DESCRIPTION

Neptun's LED bollards features architectural design and durability to make it an excellent choice for new construction or retrofit applications. The LED-B91 series feature custom engineered optics for excellent illumination and uniformity. It can replace existing HID & HPS fixtures up to 100W.

## APPLICATION

- Security Lighting
- Area Lighting
- Walkway Lighting
- Landscape Lighting

## STRUCTURE, MATERIALS, & FEATURES

- Heavy-gauge, die-cast aluminum housing.
- High Efficiency, UV protected, non-yellowing polycarbonate lens.
- Corrosion resistant electrocoat black finish (custom colors available).
- Continuous silicone gasketing surrounds lens for weather - tight seal.
- High output LED lamp supplied.
- Bright white light (5000°K) for greater visibility and safety.
- InstantON flicker-free Cold Start and Hot Re-Start.
- Up to 15 years Maintenance free operation.
- 5 Year Warranty on complete fixture. (LED's & Housing)

## ORDERING INFORMATION

Sample Number: LED-BL91-015-UNV-850-BLK  
Custom options and accessories available. Please consult factory

Series	Wattage	Voltage	Color Temp.	Color
LED-BL91 = Bollard	015 = 15 W	UNV = 120-277VAC	830 = 3000°K 841 = 4100°K 850 = 5000°K* * Standard	BLK = Black <span style="display:inline-block; width:10px; height:10px; background-color:black;"></span> * Custom Colors Available



lightinnovations@work™

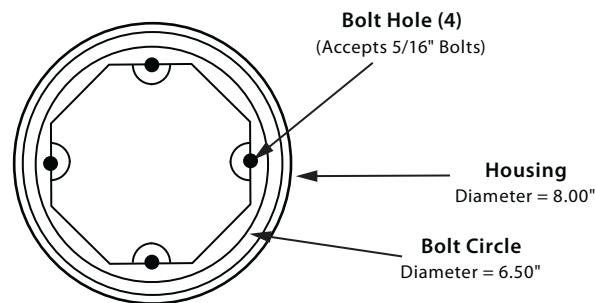
## PRODUCT INFORMATION

Model No.	Description	Rated Watts	Input Watts	Initial Lumens	Universal Line Voltage (VAC)	Max Line Current (Amp) @ 120 - 277	THD	Power Factor	Weight
LED-BL91015-UNV	Bollard Fixture	15	16	1,250	120 - 277	0.13 - 0.05	<20%	>0.90	20 lbs

## SPECIFICATIONS

- LED Driver ..... Constant Current
- Power Supply ..... 350mA
- Start Method ..... InstantON
- Hot Re-start ..... InstantON
- Universal Input Line Voltage ..... 120-277 VAC
- Input Line Frequency ..... 50/60 Hz
- Driver Off-State Draw ..... 0 Watts
- Sound Rating ..... Class A
- Projected (L70) @ 85°C ..... > 50,000 hrs.
- Color Temperature ..... 5,000°K
- Color Rendering Index (CRI) ..... > 80
- Minimum Starting Temperature ..... -40°C
- Maximum Starting Temperature ..... +50°C
- Lumens per Watt ..... > 80
- Shock / Vibration Resistant ..... Yes
- Power Factor ..... > 0.90
- Total Harmonic Distortion ..... < 20%
- Inrush Current Peak ..... < 10 Amp
- FCC Compliance ..... Part 15, Subp. C
- IP Rating ..... IP65
- Warranty ..... 5 Year

## DRILLING PATTERN



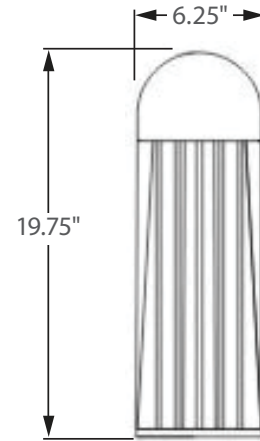
(Bolts Not Included)

Neptun Light, Inc.  
 13950 Business Center Drive  
 Lake Forest, IL 60045  
 Fax: 847.735.8004

Neptun Light, Inc. reserves the right to change materials or modify the design of its product without notification as part of the company's continuing product improvement program.  
 ©2002-2013 Neptun Light, Inc. All rights reserved.

Spec. Rev. 4-2015

LAMP INCLUDED



Incredible **50,000** hrs

## GENERAL DESCRIPTION

Neptun's LED bollards features architectural design and durability to make it an excellent choice for new construction or retrofit applications. The LED-B92 series feature custom engineered optics for excellent illumination and uniformity. It can replace existing HID & HPS fixtures up to 100W.

## APPLICATION

- Security Lighting
- Area Lighting
- Walkway Lighting
- Landscape Lighting

## STRUCTURE, MATERIALS, & FEATURES

- Heavy-gauge, die-cast aluminum housing.
- High Efficiency, UV protected, non-yellowing polycarbonate lens.
- Corrosion resistant electrocoat black finish (custom colors available).
- Continuous silicone gasketing surrounds lens for weather - tight seal.
- High output LED lamp supplied.
- Bright white light (5000°K) for greater visibility and safety.
- High power factor, low THD driver.
- InstantON flicker-free Cold Start and Hot Re-Start.
- Up to 15 years Maintenance free operation.
- 5 Year Warranty on complete fixture. (LED's & Housing)

## ORDERING INFORMATION

Sample Number: LED-BL92-015-UNV-850-BLK  
Custom options and accessories available. Please consult factory

Series	Wattage	Voltage	Color Temp.	Color
LED-BL92 = Bollard	015 = 15 W	UNV = 120-277VAC	830 = 3000°K 841 = 4100°K 850 = 5000°K* * Standard	BLK = Black <span style="display:inline-block; width:10px; height:10px; background-color:black;"></span> * Custom Colors Available



*lightinnovations@work*™

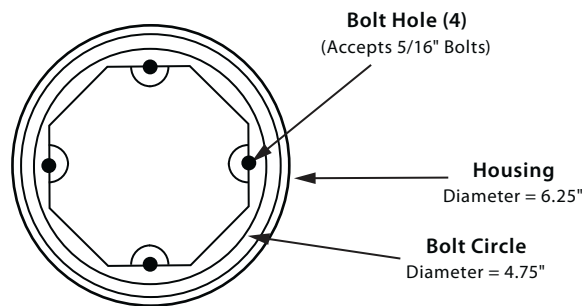
## PRODUCT INFORMATION

Model No.	Description	Rated Watts	Input Watts	Initial Lumens	Universal Line Voltage (VAC)	Max Line Current (Amp) @ 120 - 277	THD	Power Factor	Weight
LED-BL92015-UNV	Bollard Fixture	15	16	1,250	120 - 277	0.13 - 0.05	<20%	>0.90	20 lbs

## SPECIFICATIONS

- LED Driver ..... Constant Current
- Power Supply ..... 350mA
- Start Method ..... InstantON
- Hot Re-start ..... InstantON
- Universal Input Line Voltage ..... 120-277 VAC
- Input Line Frequency ..... 50/60 Hz
- Driver Off-State Draw ..... 0 Watts
- Sound Rating ..... Class A
- Projected (L70) @ 85°C ..... > 50,000 hrs.
- Color Temperature ..... 5,000°K
- Color Rendering Index (CRI) ..... > 80
- Minimum Starting Temperature ..... -40°C
- Maximum Starting Temperature ..... +50°C
- Lumens per Watt ..... > 80
- Shock / Vibration Resistant ..... Yes
- Power Factor ..... > 0.90
- Total Harmonic Distortion ..... < 20%
- Inrush Current Peak ..... < 10 Amp
- FCC Compliance ..... Part 15, Subp. C
- IP Rating ..... IP65
- Warranty ..... 5 Year

## DRILLING PATTERN



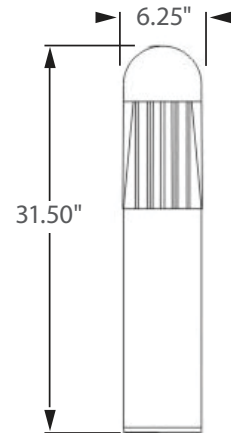
(Bolts Not Included)

Neptun Light, Inc.  
13950 Business Center Drive  
Lake Forest, IL 60045  
Fax: 847.735.8004

Neptun Light, Inc. reserves the right to change materials or modify the design of its product without notification as part of the company's continuing product improvement program.  
©2002-2013 Neptun Light, Inc. All rights reserved.

Spec. Rev. 4-2015

LAMP INCLUDED



Incredible **50,000 hrs**

## GENERAL DESCRIPTION

Neptun's LED bollards features architectural design and durability to make it an excellent choice for new construction or retrofit applications. The LED-B93 series feature custom engineered optics for excellent illumination and uniformity. It can replace existing HID & HPS fixtures up to 100W.

## APPLICATION

- Security Lighting
- Area Lighting
- Walkway Lighting
- Landscape Lighting

## STRUCTURE, MATERIALS, & FEATURES

- Heavy-gauge, die-cast aluminum housing.
- High Efficiency, UV protected, non-yellowing polycarbonate lens.
- Corrosion resistant electrocoat black finish (custom colors available).
- Continuous silicone gasketing surrounds lens for weather - tight seal.
- High output LED lamp supplied.
- Bright white light (5000°K) for greater visibility and safety.
- InstantON flicker-free Cold Start and Hot Re-Start.
- Up to 15 years Maintenance free operation.
- 5 Year Warranty on complete fixture. (LED's & Housing)

## ORDERING INFORMATION

Sample Number: LED-BL93-015-UNV-850-BLK  
Custom options and accessories available. Please consult factory

Series	Wattage	Voltage	Color Temp.	Color
LED-BL93 = Bollard	015 = 15 W	UNV = 120-277VAC	830 = 3000°K 841 = 4100°K 850 = 5000°K* * Standard	BLK = Black ■ * Custom Colors Available



*lightinnovations@work*™

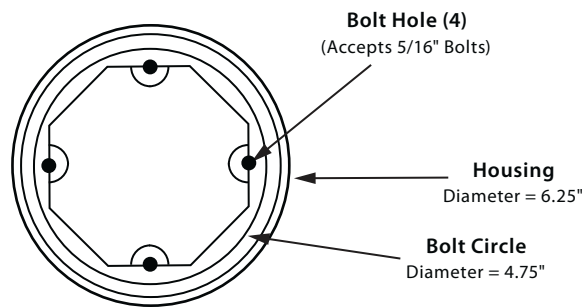
## PRODUCT INFORMATION

Model No.	Description	Rated Watts	Input Watts	Initial Lumens	Universal Line Voltage (VAC)	Max Line Current (Amp) @ 120 - 277	THD	Power Factor	Weight
LED-BL93015-UNV	Bollard Fixture	15	16	1,250	120 - 277	0.13 - 0.05	<20%	>0.90	20 lbs

## SPECIFICATIONS

- LED Driver ..... Constant Current
- Power Supply ..... 350mA
- Start Method ..... InstantON
- Hot Re-start ..... InstantON
- Universal Input Line Voltage ..... 120-277 VAC
- Input Line Frequency ..... 50/60 Hz
- Driver Off-State Draw ..... 0 Watts
- Sound Rating ..... Class A
- Projected (L70) @ 85°C ..... > 50,000 hrs.
- Color Temperature ..... 5,000°K
- Color Rendering Index (CRI) ..... > 80
- Minimum Starting Temperature ..... -40°C
- Maximum Starting Temperature ..... +50°C
- Lumens per Watt ..... > 80
- Shock / Vibration Resistant ..... Yes
- Power Factor ..... > 0.90
- Total Harmonic Distortion ..... < 20%
- Inrush Current Peak ..... < 10 Amp
- FCC Compliance ..... Part 15, Subp. C
- IP Rating ..... IP65
- Warranty ..... 5 Year

## DRILLING PATTERN

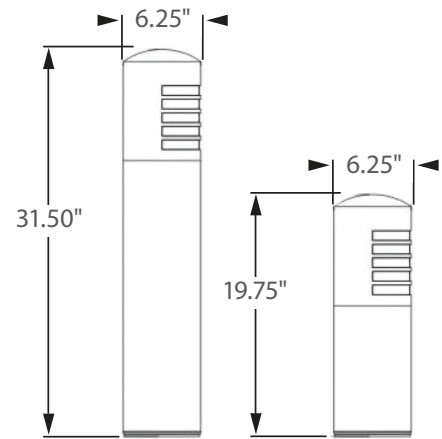


(Bolts Not Included)

Neptun Light, Inc.  
13950 Business Center Drive  
Lake Forest, IL 60045  
Fax: 847.735.8004

Neptun Light, Inc. reserves the right to change materials or modify the design of its product without notification as part of the company's continuing product improvement program.  
©2002-2013 Neptun Light, Inc. All rights reserved.

Spec. Rev. 4-2015



Incredible **50,000** hrs

## GENERAL DESCRIPTION

Neptun's LED bollards features architectural design and durability to make it an excellent choice for new construction or retrofit applications. The LED-B94 series feature custom engineered optics for excellent illumination and uniformity. It can replace existing HID & HPS fixtures up to 100W.

## APPLICATION

- Security Lighting
- Area Lighting
- Walkway Lighting
- Landscape Lighting

## STRUCTURE, MATERIALS, & FEATURES

- Heavy-gauge, die-cast aluminum housing.
- High Efficiency, UV protected, non-yellowing polycarbonate lens.
- Corrosion resistant electrocoat black finish (custom colors available).
- Continuous silicone gasketing surrounds lens for weather - tight seal.
- High output LED lamp supplied.
- Bright white light (5000°K) for greater visibility and safety.
- InstantON flicker-free Cold Start and Hot Re-Start.
- Up to 15 years Maintenance free operation.
- 5 Year Warranty on complete fixture. (LED's & Housing)

## ORDERING INFORMATION

Sample Number: LED-BL94A-015-UNV-850-BLK  
Custom options and accessories available. Please consult factory

Series	Wattage	Voltage	Color Temp.	Color
<b>LED-BL94A</b> = 19.75" Bollard <b>LED-BL94C</b> = 31.5" Bollard	<b>015</b> = 15 W	<b>UNV</b> = 120-277VAC	<b>830</b> = 3000°K <b>841</b> = 4100°K <b>850</b> = 5000°K* * Standard	<b>BLK</b> = Black ■ * Custom Colors Available



*light*innovations@work™



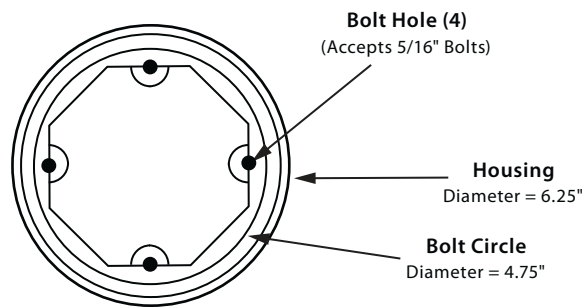
### PRODUCT INFORMATION

Model No.	Description	Rated Watts	Input Watts	Initial Lumens	Universal Line Voltage (VAC)	Max Line Current (Amp) @ 120 - 277	THD	Power Factor	Weight
LED-BL94A015-UNV	Bollard Fixture	15	16	1,250	120 - 277	0.13 - 0.05	<20%	>0.90	20 lbs
LED-BL94C015-UNV	Bollard Fixture	15	16	1,250	120 - 277	0.13 - 0.05	<20%	>0.90	20 lbs

### SPECIFICATIONS

- LED Driver ..... Constant Current
- Power Supply ..... 350mA
- Start Method ..... InstantON
- Hot Re-start ..... InstantON
- Universal Input Line Voltage ..... 120-277 VAC
- Input Line Frequency ..... 50/60 Hz
- Driver Off-State Draw ..... 0 Watts
- Sound Rating ..... Class A
- Projected (L70) @ 85°C ..... > 50,000 hrs.
- Color Temperature ..... 5,000°K
- Color Rendering Index (CRI) ..... > 80
- Minimum Starting Temperature ..... -40°C
- Maximum Starting Temperature ..... +50°C
- Lumens per Watt ..... > 80
- Shock / Vibration Resistant ..... Yes
- Power Factor ..... > 0.90
- Total Harmonic Distortion ..... < 20%
- Inrush Current Peak ..... < 10 Amp
- FCC Compliance ..... Part 15, Subp. C
- IP Rating ..... IP65
- Warranty ..... 5 Year

### DRILLING PATTERN



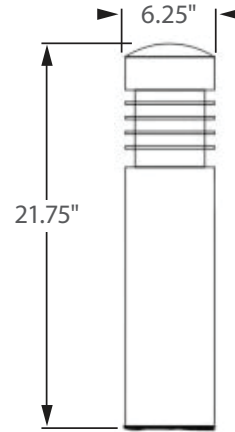
(Bolts Not Included)

Neptun Light, Inc.  
 13950 Business Center Drive  
 Lake Forest, IL 60045  
 Fax: 847.735.8004

Neptun Light, Inc. reserves the right to change materials or modify the design of its product without notification as part of the company's continuing product improvement program.  
 ©2002-2013 Neptun Light, Inc. All rights reserved.

Spec. Rev. 4-2015

LAMP INCLUDED



Incredible **50,000 hrs**

## GENERAL DESCRIPTION

Neptun's LED bollards features architectural design and durability to make it an excellent choice for new construction or retrofit applications. The LED-B95 series feature custom engineered optics for excellent illumination and uniformity. It can replace existing HID & HPS fixtures up to 100W.

## APPLICATION

- Security Lighting
- Area Lighting
- Walkway Lighting
- Landscape Lighting

## STRUCTURE, MATERIALS, & FEATURES

- Heavy-gauge, die-cast aluminum housing.
- High Efficiency, UV protected, non-yellowing polycarbonate lens.
- Corrosion resistant electrocoat black finish (custom colors available).
- Continuous silicone gasketing surrounds lens for weather - tight seal.
- High output LED lamp supplied.
- Bright white light (5000°K) for greater visibility and safety.
- InstantON flicker-free Cold Start and Hot Re-Start.
- Up to 15 years Maintenance free operation.
- 5 Year Warranty on complete fixture. (LED's & Housing)

## ORDERING INFORMATION

Sample Number: LED-BL95-015-UNV-850-BLK  
Custom options and accessories available. Please consult factory

Series	Wattage	Voltage	Color Temp.	Color
LED-BL95 = Bollard	015 = 15 W	UNV = 120-277VAC	830 = 3000°K 841 = 4100°K 850 = 5000°K* * Standard	BLK = Black <span style="display:inline-block; width:10px; height:10px; background-color:black;"></span> * Custom Colors Available



**lightinnovations@work™**

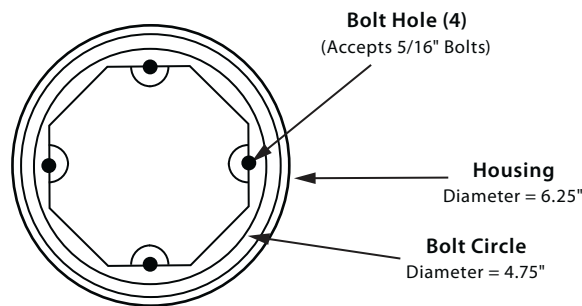
## PRODUCT INFORMATION

Model No.	Description	Rated Watts	Input Watts	Initial Lumens	Universal Line Voltage (VAC)	Max Line Current (Amp) @ 120 - 277	THD	Power Factor	Weight
LED-BL95015-UNV	Bollard Fixture	15	16	1,250	120 - 277	0.13 - 0.05	<20%	>0.90	20 lbs

## SPECIFICATIONS

- LED Driver ..... Constant Current
- Power Supply ..... 350mA
- Start Method ..... InstantON
- Hot Re-start ..... InstantON
- Universal Input Line Voltage ..... 120-277 VAC
- Input Line Frequency ..... 50/60 Hz
- Driver Off-State Draw ..... 0 Watts
- Sound Rating ..... Class A
- Projected (L70) @ 85°C ..... > 50,000 hrs.
- Color Temperature ..... 5,000°K
- Color Rendering Index (CRI) ..... > 80
- Minimum Starting Temperature ..... -40°C
- Maximum Starting Temperature ..... +50°C
- Lumens per Watt ..... > 80
- Shock / Vibration Resistant ..... Yes
- Power Factor ..... > 0.90
- Total Harmonic Distortion ..... < 20%
- Inrush Current Peak ..... < 10 Amp
- FCC Compliance ..... Part 15, Subp. C
- IP Rating ..... IP65
- Warranty ..... 5 Year

## DRILLING PATTERN



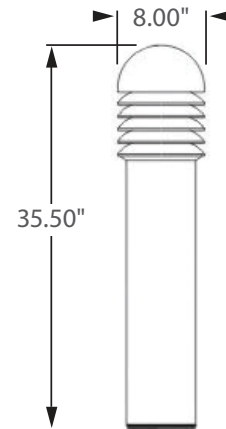
(Bolts Not Included)

Neptun Light, Inc.  
 13950 Business Center Drive  
 Lake Forest, IL 60045  
 Fax: 847.735.8004

Neptun Light, Inc. reserves the right to change materials or modify the design of its product without notification as part of the company's continuing product improvement program.  
 ©2002-2013 Neptun Light, Inc. All rights reserved.

Spec. Rev. 4-2015

LAMP INCLUDED



Incredible **50,000 hrs**

## GENERAL DESCRIPTION

Neptun's LED bollards features architectural design and durability to make it an excellent choice for new construction or retrofit applications. The LED-B96 series feature custom engineered optics for excellent illumination and uniformity. It can replace existing HID & HPS fixtures up to 100W.

## APPLICATION

- Security Lighting
- Area Lighting
- Walkway Lighting
- Landscape Lighting

## STRUCTURE, MATERIALS, & FEATURES

- Heavy-gauge, die-cast aluminum housing.
- High Efficiency, UV protected, non-yellowing polycarbonate lens.
- Corrosion resistant electrocoat black finish (custom colors available).
- Continuous silicone gasketing surrounds lens for weather - tight seal.
- High output LED lamp supplied.
- Bright white light (5000°K) for greater visibility and safety.
- InstantON flicker-free Cold Start and Hot Re-Start.
- Up to 15 years Maintenance free operation.
- 5 Year Warranty on complete fixture. (LED's & Housing)

## ORDERING INFORMATION

Sample Number: LED-BL96-015-UNV-850-BLK  
Custom options and accessories available. Please consult factory

Series	Wattage	Voltage	Color Temp.	Color
LED-BL96 = Bollard	015 = 15 W	UNV = 120-277VAC	830 = 3000°K 841 = 4100°K 850 = 5000°K* * Standard	BLK = Black <span style="display: inline-block; width: 10px; height: 10px; background-color: black; vertical-align: middle;"></span> * Custom Colors Available



lightinnovations@work™

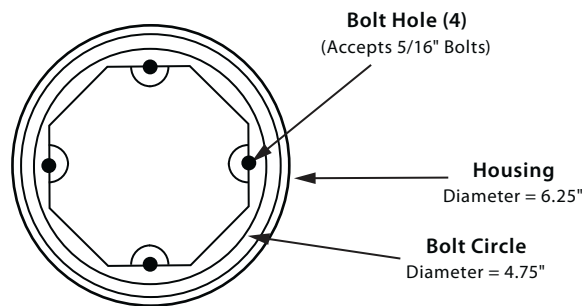
## PRODUCT INFORMATION

Model No.	Description	Rated Watts	Input Watts	Initial Lumens	Universal Line Voltage (VAC)	Max Line Current (Amp) @ 120 - 277	THD	Power Factor	Weight
LED-BL96015-UNV	Bollard Fixture	15	16	1,250	120 - 277	0.13 - 0.05	<20%	>0.90	20 lbs

## SPECIFICATIONS

- LED Driver ..... Constant Current
- Power Supply ..... 350mA
- Start Method ..... InstantON
- Hot Re-start ..... InstantON
- Universal Input Line Voltage ..... 120-277 VAC
- Input Line Frequency ..... 50/60 Hz
- Driver Off-State Draw ..... 0 Watts
- Sound Rating ..... Class A
- Projected (L70) @ 85°C ..... > 50,000 hrs.
- Color Temperature ..... 5,000°K
- Color Rendering Index (CRI) ..... > 80
- Minimum Starting Temperature ..... -40°C
- Maximum Starting Temperature ..... +50°C
- Lumens per Watt ..... > 80
- Shock / Vibration Resistant ..... Yes
- Power Factor ..... > 0.90
- Total Harmonic Distortion ..... < 20%
- Inrush Current Peak ..... < 10 Amp
- FCC Compliance ..... Part 15, Subp. C
- IP Rating ..... IP65
- Warranty ..... 5 Year

## DRILLING PATTERN



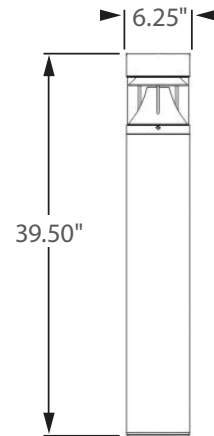
(Bolts Not Included)

Neptun Light, Inc.  
 13950 Business Center Drive  
 Lake Forest, IL 60045  
 Fax: 847.735.8004

Neptun Light, Inc. reserves the right to change materials or modify the design of its product without notification as part of the company's continuing product improvement program.  
 ©2002-2013 Neptun Light, Inc. All rights reserved.

Spec. Rev. 4-2015

LAMP INCLUDED



Incredible **50,000** hrs

## GENERAL DESCRIPTION

Neptun's LED bollards features architectural design and durability to make it an excellent choice for new construction or retrofit applications. The LED-B97 series feature custom engineered optics for excellent illumination and uniformity. It can replace existing HID & HPS fixtures up to 100W.

## APPLICATION

- Security Lighting
- Area Lighting
- Walkway Lighting
- Landscape Lighting

## STRUCTURE, MATERIALS, & FEATURES

- Heavy-gauge, die-cast aluminum housing.
- High Efficiency, UV protected, non-yellowing polycarbonate lens.
- Corrosion resistant electrocoat black finish (custom colors available).
- Continuous silicone gasketing surrounds lens for weather - tight seal.
- High output LED lamp supplied.
- Bright white light (5000°K) for greater visibility and safety.
- InstantON flicker-free Cold Start and Hot Re-Start.
- Up to 15 years Maintenance free operation.
- 5 Year Warranty on complete fixture. (LED's & Housing)

## ORDERING INFORMATION

Sample Number: LED-BL97-015-UNV-850-BLK  
Custom options and accessories available. Please consult factory

Series	Wattage	Voltage	Color Temp.	Color
LED-BL97 = Bollard	015 = 15 W	UNV = 120-277VAC	830 = 3000°K 841 = 4100°K 850 = 5000°K* * Standard	BLK = Black <span style="display:inline-block; width:10px; height:10px; background-color:black;"></span> * Custom Colors Available



*light*innovations@work™

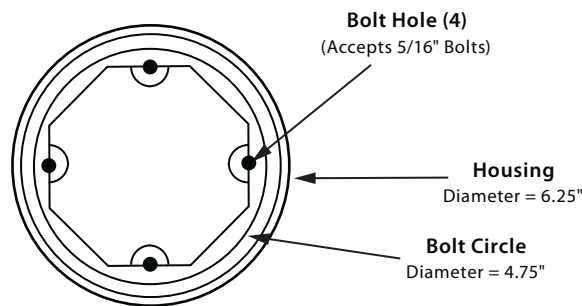
## PRODUCT INFORMATION

Model No.	Description	Rated Watts	Input Watts	Initial Lumens	Universal Line Voltage (VAC)	Max Line Current (Amp) @ 120 - 277	THD	Power Factor	Weight
LED-BL97015-UNV	Bollard Fixture	15	16	1,250	120 - 277	0.13 - 0.05	<20%	>0.90	20 lbs

## SPECIFICATIONS

- LED Driver ..... Constant Current
- Power Supply ..... 350mA
- Start Method ..... InstantON
- Hot Re-start ..... InstantON
- Universal Input Line Voltage ..... 120-277 VAC
- Input Line Frequency ..... 50/60 Hz
- Driver Off-State Draw ..... 0 Watts
- Sound Rating ..... Class A
- Projected (L70) @ 85°C ..... > 50,000 hrs.
- Color Temperature ..... 5,000°K
- Color Rendering Index (CRI) ..... > 80
- Minimum Starting Temperature ..... -40°C
- Maximum Starting Temperature ..... +50°C
- Lumens per Watt ..... > 80
- Shock / Vibration Resistant ..... Yes
- Power Factor ..... > 0.90
- Total Harmonic Distortion ..... < 20%
- Inrush Current Peak ..... < 10 Amp
- FCC Compliance ..... Part 15, Subp. C
- IP Rating ..... IP65
- Warranty ..... 5 Year

## DRILLING PATTERN



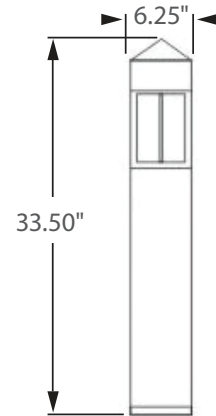
(Bolts Not Included)

Neptun Light, Inc.  
 13950 Business Center Drive  
 Lake Forest, IL 60045  
 Fax: 847.735.8004

Neptun Light, Inc. reserves the right to change materials or modify the design of its product without notification as part of the company's continuing product improvement program.  
 ©2002-2013 Neptun Light, Inc. All rights reserved.

Spec. Rev. 4-2015

LAMP INCLUDED



Incredible **50,000 hrs**

## GENERAL DESCRIPTION

Neptun's LED bollards features architectural design and durability to make it an excellent choice for new construction or retrofit applications. The LED-B98 series feature custom engineered optics for excellent illumination and uniformity. It can replace existing HID & HPS fixtures up to 100W.

## APPLICATION

- Security Lighting
- Area Lighting
- Walkway Lighting
- Landscape Lighting

## STRUCTURE, MATERIALS, & FEATURES

- Heavy-gauge, die-cast aluminum housing.
- High Efficiency, UV protected, non-yellowing polycarbonate lens.
- Corrosion resistant electrocoat black finish (custom colors available).
- Continuous silicone gasketing surrounds lens for weather - tight seal.
- High output LED lamp supplied.
- Bright white light (5000°K) for greater visibility and safety.
- InstantON flicker-free Cold Start and Hot Re-Start.
- Up to 15 years Maintenance free operation.
- 5 Year Warranty on complete fixture. (LED's & Housing)

## ORDERING INFORMATION

Sample Number: LED-BL98-015-UNV-850-BLK  
Custom options and accessories available. Please consult factory

Series	Wattage	Voltage	Color Temp.	Color
LED-BL98 = Bollard	015 = 15 W	UNV = 120-277VAC	830 = 3000°K 841 = 4100°K 850 = 5000°K* * Standard	BLK = Black <span style="display:inline-block; width:10px; height:10px; background-color:black;"></span> * Custom Colors Available



*lightinnovations@work*™



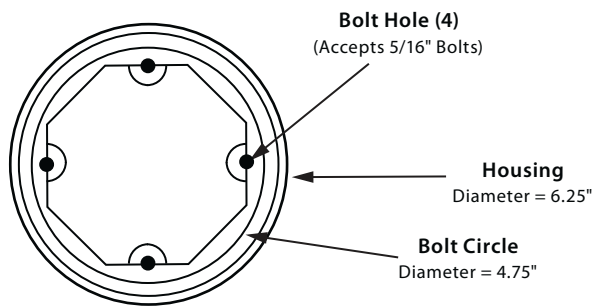
### PRODUCT INFORMATION

Model No.	Description	Rated Watts	Input Watts	Initial Lumens	Universal Line Voltage (VAC)	Max Line Current (Amp) @ 120 - 277	THD	Power Factor	Weight
LED-BL98015-UNV	Bollard Fixture	15	16	1,250	120 - 277	0.13 - 0.05	<20%	>0.90	20 lbs

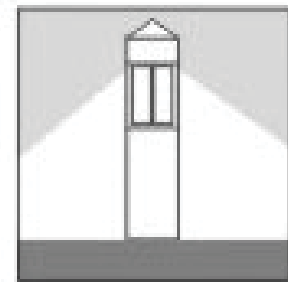
### SPECIFICATIONS

- LED Driver ..... Constant Current
- Power Supply ..... 350mA
- Start Method ..... InstantON
- Hot Re-start ..... InstantON
- Universal Input Line Voltage ..... 120-277 VAC
- Input Line Frequency ..... 50/60 Hz
- Driver Off-State Draw ..... 0 Watts
- Sound Rating ..... Class A
- Projected (L70) @ 85°C ..... > 50,000 hrs.
- Color Temperature ..... 5,000°K
- Color Rendering Index (CRI) ..... > 80
- Minimum Starting Temperature ..... -40°C
- Maximum Starting Temperature ..... +50°C
- Lumens per Watt ..... > 80
- Shock / Vibration Resistant ..... Yes
- Power Factor ..... > 0.90
- Total Harmonic Distortion ..... < 20%
- Inrush Current Peak ..... < 10 Amp
- FCC Compliance ..... Part 15, Subp. C
- IP Rating ..... IP65
- Warranty ..... 5 Year

### DRILLING PATTERN



(Bolts Not Included)

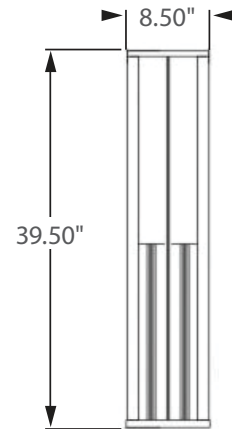


Neptun Light, Inc.  
 13950 Business Center Drive  
 Lake Forest, IL 60045  
 Fax: 847.735.8004

Neptun Light, Inc. reserves the right to change materials or modify the design of its product without notification as part of the company's continuing product improvement program.  
 ©2002-2013 Neptun Light, Inc. All rights reserved.

Spec. Rev. 4-2015

LAMP INCLUDED



Incredible **50,000 hrs**

## GENERAL DESCRIPTION

Neptun's LED bollards features architectural design and durability to make it an excellent choice for new construction or retrofit applications. The LED-B99 series feature custom engineered optics for excellent illumination and uniformity. It can replace existing HID & HPS fixtures up to 100W.

## APPLICATION

- Security Lighting
- Area Lighting
- Walkway Lighting
- Landscape Lighting

## STRUCTURE, MATERIALS, & FEATURES

- Heavy-gauge, die-cast aluminum housing.
- High Efficiency, UV protected, non-yellowing polycarbonate lens.
- Corrosion resistant electrocoat black finish (custom colors available).
- Continuous silicone gasketing surrounds lens for weather - tight seal.
- High output LED lamp supplied.
- Bright white light (5000°K) for greater visibility and safety.
- InstantON flicker-free Cold Start and Hot Re-Start.
- Up to 15 years Maintenance free operation.
- 5 Year Warranty on complete fixture. (LED's & Housing)

## ORDERING INFORMATION

Sample Number: LED-BL99-025-UNV-850-BLK  
Custom options and accessories available. Please consult factory

Series	Wattage	Voltage	Color Temp.	Color
LED-BL99 = Bollard	025 = 25 W	UNV = 120-277VAC	830 = 3000°K 841 = 4100°K 850 = 5000°K* * Standard	BLK = Black <span style="display: inline-block; width: 10px; height: 10px; background-color: black; vertical-align: middle;"></span> * Custom Colors Available



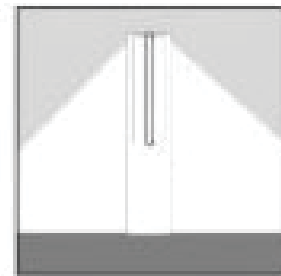
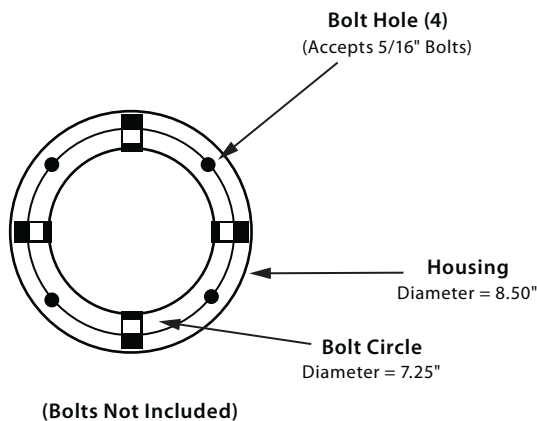
## PRODUCT INFORMATION

Model No.	Description	Rated Watts	Input Watts	Initial Lumens	Universal Line Voltage (VAC)	Max Line Current (Amp) @ 120 - 277	THD	Power Factor	Weight
LED-BL99015-UNV	Bollard Fixture	25	26	2,125	120 - 277	0.21 - 0.09	<20%	>0.90	25 lbs

## SPECIFICATIONS

- LED Driver ..... Constant Current
- Power Supply ..... 350mA
- Start Method ..... InstantON
- Hot Re-start ..... InstantON
- Universal Input Line Voltage ..... 120-277 VAC
- Input Line Frequency ..... 50/60 Hz
- Driver Off-State Draw ..... 0 Watts
- Sound Rating ..... Class A
- Projected (L70) @ 85°C ..... > 50,000 hrs.
- Color Temperature ..... 5,000°K
- Color Rendering Index (CRI) ..... > 80
- Minimum Starting Temperature ..... -40°C
- Maximum Starting Temperature ..... +50°C
- Lumens per Watt ..... > 80
- Shock / Vibration Resistant ..... Yes
- Power Factor ..... > 0.90
- Total Harmonic Distortion ..... < 20%
- Inrush Current Peak ..... < 10 Amp
- FCC Compliance ..... Part 15, Subp. C
- IP Rating ..... IP65
- Warranty ..... 5 Year

## DRILLING PATTERN



Neptun Light, Inc.  
13950 Business Center Drive  
Lake Forest, IL 60045  
Fax: 847.735.8004

Neptun Light, Inc. reserves the right to change materials or modify the design of its product without notification as part of the company's continuing product improvement program.  
©2002-2013 Neptun Light, Inc. All rights reserved.

Spec. Rev. 4-2015



## LED Lighting Limited Warranty

NEPTUN Light, Inc ("NEPTUN"), 13950 Business Center Dr, Lake Forest, IL 60045 warrants that its LED (Light Emitting Diodes) light bulbs and LED lighting systems will be free from defect in material and workmanship from the date of installation for **5 years**

This warranty is conditioned upon proper storage, installation, use and maintenance. This warranty is not applicable to any Neptun LED lighting products which are not installed and operated in accordance with the current edition of the National Electric Code (NEC), the Standards for Safety of Underwriter's Laboratories, INC (UL), the Standards of the American National Standards Institute (ANSI), and with NEPTUN's instructions and guidelines for LED bulb and LED lighting systems. This warranty is not applicable to any Neptun LED lighting products subjected to abnormal stresses and operating conditions.

NEPTUN shall correct any defects, at NEPTUN's option, by either repairing any defective part or parts or by replacing any defective part or parts or by making available a new replacement part at no charge.

The conditions of any test concerning any Neptun LED products which are claimed to have not performed to the warranty shall be mutually agreed upon in writing and NEPTUN shall be notified of, and may be represented at any such tests. This express limited warranty is extended by NEPTUN only to original or first end-user purchaser.

This warranty is valid only if registered by end-user, purchaser, upon receipt by NEPTUN of the WARRANTY REGISTRATION FORM with specific information about the LED light bulb and LED lighting system installation. Product Warranty only valid once invoice is paid in full according to terms.

**NO IMPLIED STATUTORY WARRANTY OF MERCHANTABILITY OR FITNESS FOR A PARTICULAR PURPOSE SHALL APPLY BEYOND THE AFOREMENTIONED WARRANTY PERIOD.** The foregoing warranty is exclusive of all other statutory, written or oral warranties, and no other warranties of any kind, statutory or otherwise, are given or herein expressed. This warranty sets forth NEPTUN's responsibilities regarding the Neptun LED lighting systems and claimant's exclusive remedy.

**LIMITATION OF LIABILITY.** NEPTUN will not under any circumstances whether as a result of breach of contract, breach of warranty, tort, strict liability or otherwise be liable for consequential, incidental, special or exemplary damages including but not limited to, loss of profits or revenues, loss of use of Neptun LED products or any other goods or associated equipment or damage to any associated equipment, cost of capital, cost of substitute products, facilities of services, down time cost, or claims of claimant's customers.

NEPTUN's liability or any claim of any kind for any loss or damages arising out of, resulting from or concerning any aspect of this agreement of from the product or services furnished hereunder shall not exceed the price of the specific LED product which gives rise to the claim.

This warranty gives the claimant specific legal rights. The claimant may also have other rights which vary from state to state.

---

**NOTE:** For more information please call Customer Service at 1-888-735-8330 or email: [orders@neptunlight.com](mailto:orders@neptunlight.com)

Revision Date: February, 2015



## LED Lighting Limited Warranty

NEPTUN Light, Inc ("NEPTUN"), 13950 Business Center Dr., Lake Forest, IL 60045 warrants that its LED (Light Emitting Diodes) Fixtures utilizing COB (Chip on Board) technology with Glass Lens design will be free from defect in material and workmanship from the date of installation for **10 years**.

This warranty is conditioned upon proper storage, installation, use and maintenance. This warranty is not applicable to any Neptun LED COB lighting products which are not installed and operated in accordance with the current edition of the National Electrical Code (NEC), the Standards for Safety of Underwrites' Laboratories, INC. (UL), the Standards of the American National Standards Institute (ANSI), and with NEPTUN's instruction and guidelines for the LED COB lighting systems. This warranty is not applicable to any Neptun LED COB lighting products subjected to abnormal stresses and operating conditions

NEPTUN shall correct any defects, at NEPTUN's option, by either repairing any defective part or parts or by replacing any defective part or parts or by making available a new replacement part at no charge.

The conditions of any tests concerning any NEPTUN LED COB products which are claimed to have not performed to this warranty shall be mutually agreed upon in writing and NEPTUN shall be notified of, and may be represented at any such tests. This express limited warranty is extended by NEPTUN only to be the original or first end-user purchaser.

This warranty is valid only if registered by end-user, purchaser, upon receipt by NEPTUN of the WARRANTY REGISTRATION FORM with specific information about the LED COB lighting system installation. Product Warranty only valid once invoice is paid in full according to terms.

**NO IMPLIED STATUTORY WARRANTY OF MERCHANTABILITY OR FITNESS FOR A PARTICULAR PURPOSE SHALL APPLY BEYOND THE AFOREMENTIONED WARRANTY PERIOD.** The foregoing warranty is exclusive of all other statutory, written or oral warranties, and no other warranties of any kind, statutory or otherwise, are given or herein expressed. This warranty sets forth NEPTUN's responsibilities regarding the Neptun LED COB lighting system and claimant's exclusive remedy.

**LIMITATION OF LIABILITY.** NEPTUN will not under any circumstances whether as a result of breach of contract, breach of warranty, tort, strict liability or otherwise be liable for consequential, incidental, special or exemplary damages including but not limited to, loss of profits or revenues, loss of use of NEPTUN LED COB products or any other goods or associated equipment or damage to any associated equipment, cost of capital, cost of substitute products, facilities of services, down time cost, or claims or claimant's customers.

NEPTUN's liability on any claim of any kind for any loss or damages arising out of, resulting from or concerning any aspect of this agreement of from the product or services furnished hereunder shall not exceed the price of the specific LED COB product which gives rise to the claim.

This warranty gives the claimant specific legal rights. The claimant may also have other rights which vary from state to state.

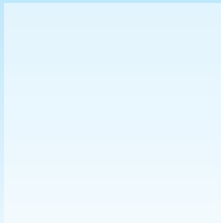
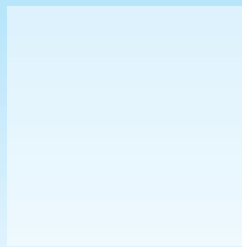
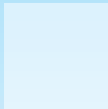
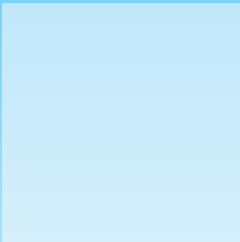
---

**NOTE:** For more information please call Customer Service at 1-888-735-8330 or email: [orders@neptunlight.com](mailto:orders@neptunlight.com)



*lightinnovations@work*™

Neptun Light is a leader in the manufacture of energy efficient retrofit products and light fixtures in the fields of LED, Induction, and Solar technology. We boast a highly diversified product portfolio of indoor and outdoor products. Additionally, our products span a wide range of commercial, industrial, government, and utility infrastructure applications. Neptun Light achieves its level of success through timely development of new technology that caters to a constantly evolving marketplace. Among Neptun Light's core values are continuous innovation, high quality products, a focus on energy conservation, and an uncompromised commitment to customer service.



**Neptun Light, Inc.**

13950 Business Center Dr.  
Lake Forest, Illinois 60045 USA  
Tel: (888) 735-8330  
Fax: (847) 735-8004  
[www.NeptunLight.com](http://www.NeptunLight.com)

